

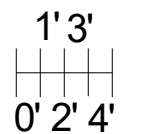
**Concept, Not
For Construction**

Enviro-Port Drawing #:
BSS 1Truck TM 1
2016

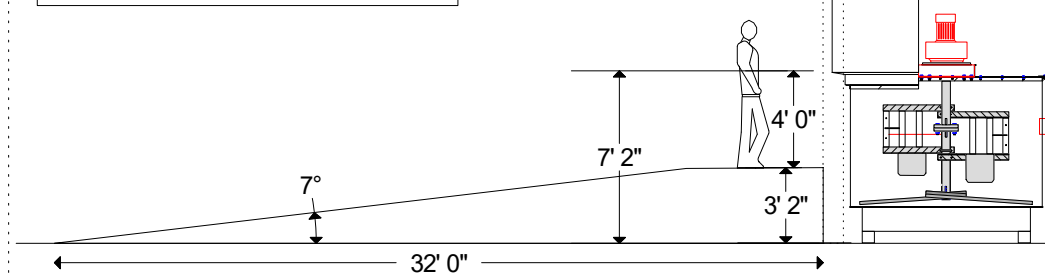
Process water Sump Pump

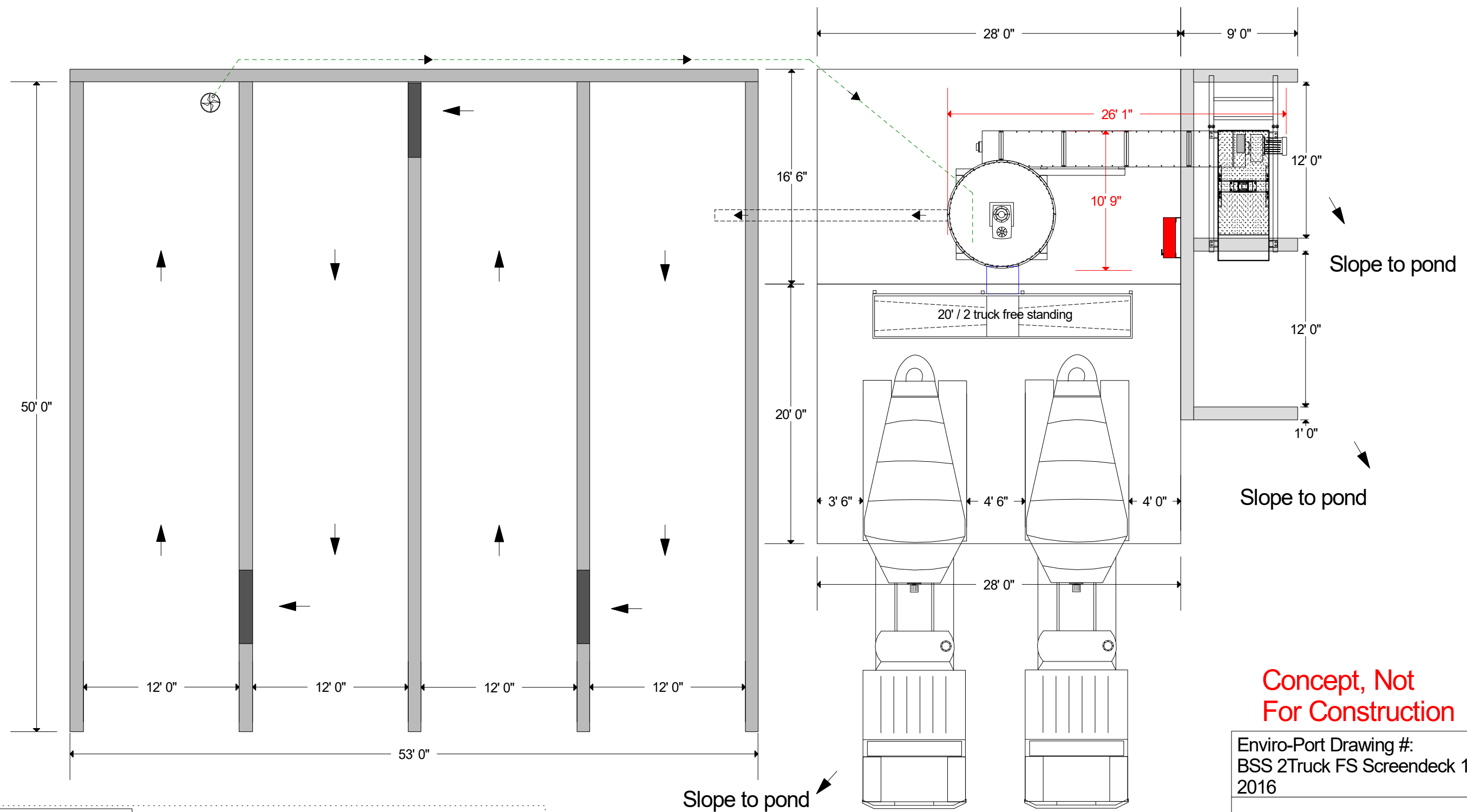
Main Elc. panel shipped loose
for connection and placement
by customer

LEGEND



Side view / 8' wide
1 truck discharge (Direct mount)






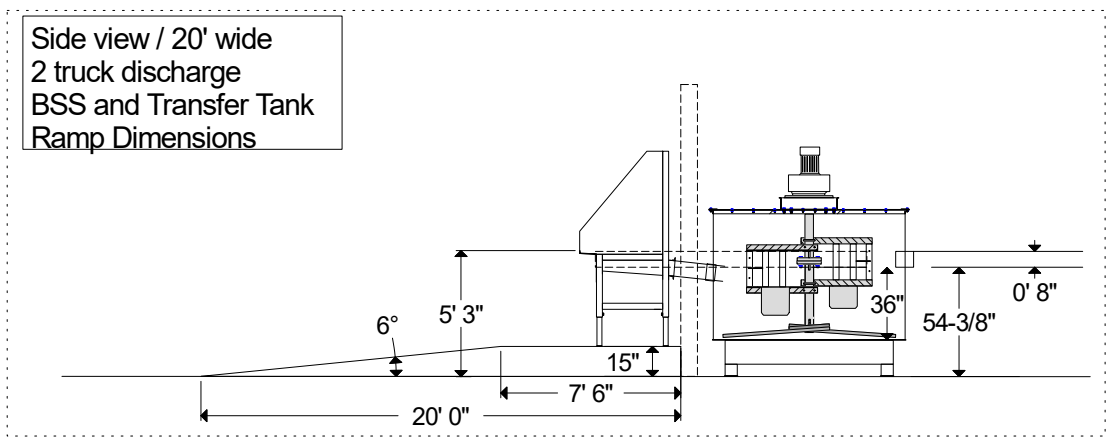
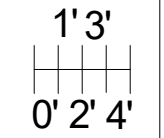
**Concept, Not
For Construction**

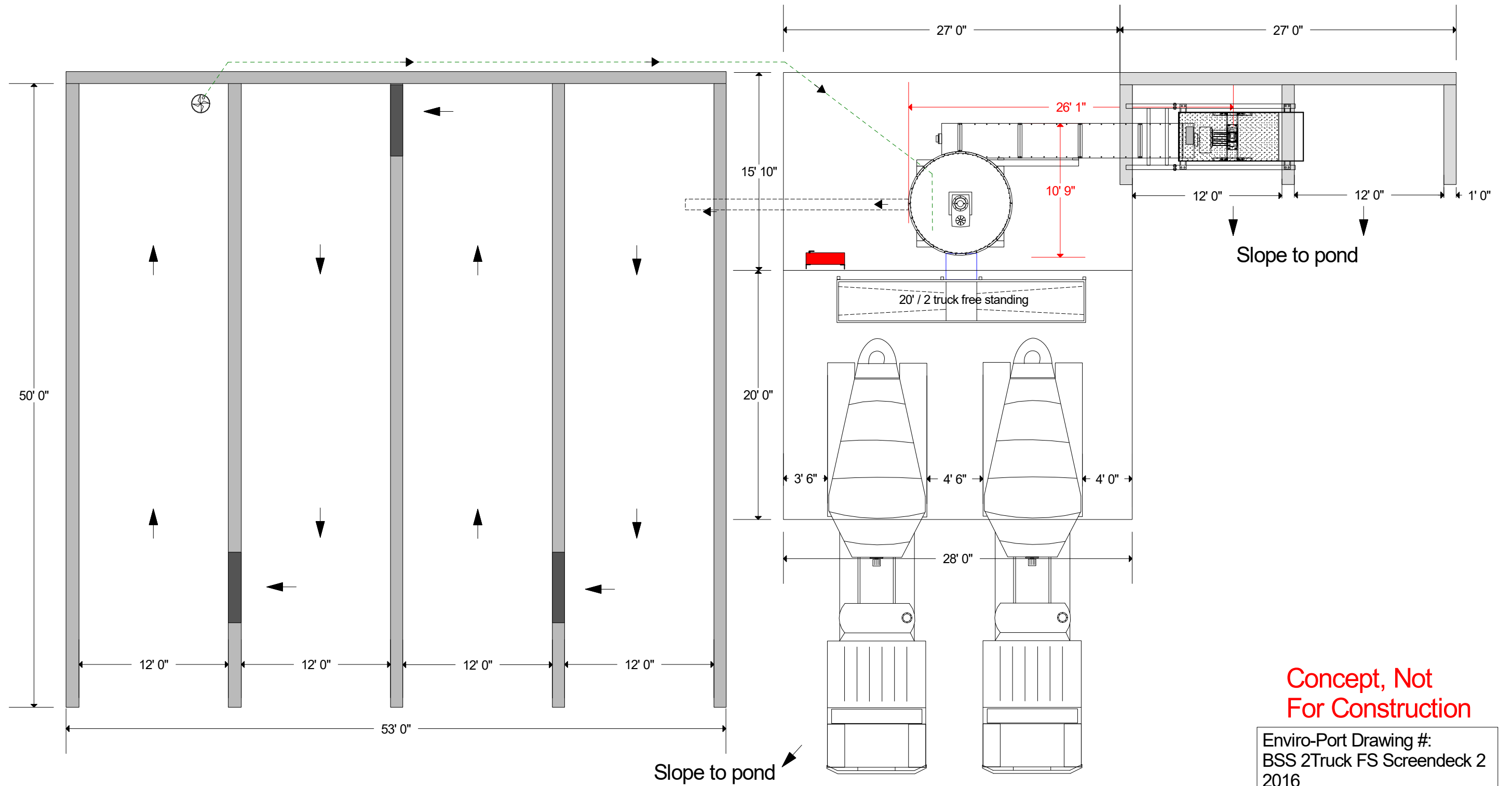
Enviro-Port Drawing #:
BSS 2Truck FS Screendeck 1
2016

Process water Sump Pump

 Main Elc. panel shipped loose for connection and placement by customer

LEGEND





**Concept, Not
For Construction**

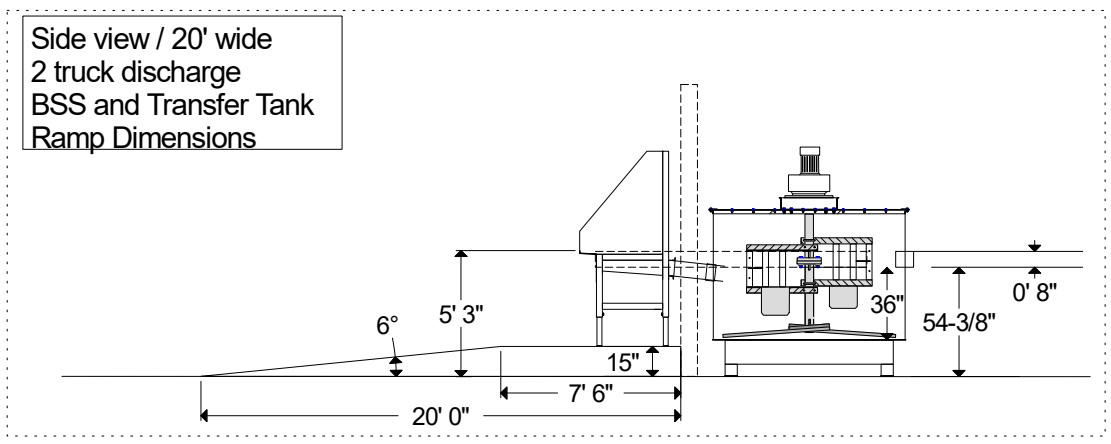
Enviro-Port Drawing #:
BSS 2Truck FS Screendeck 2
2016

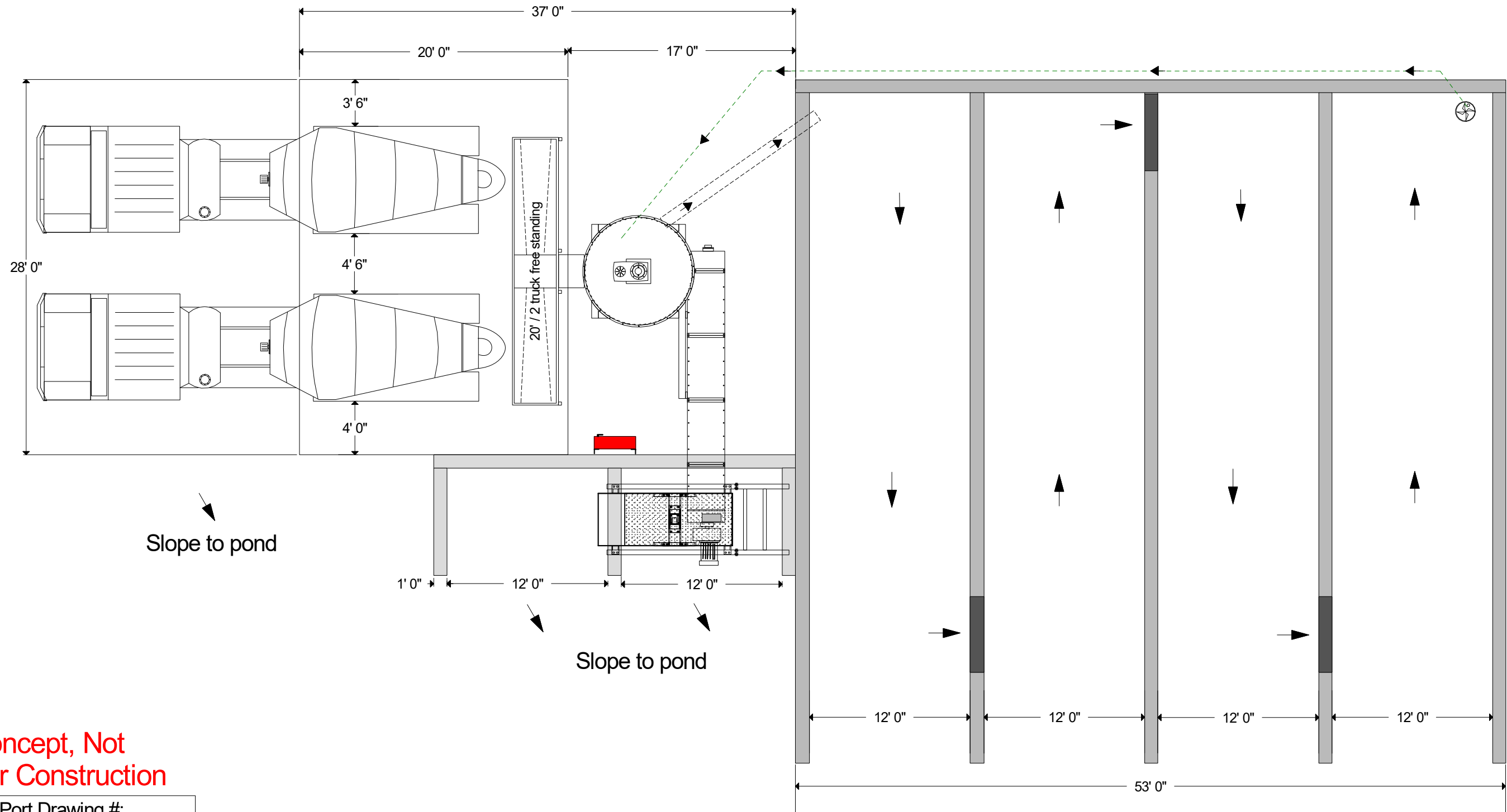
--- Process water Sump Pump

█ Main Elc. panel shipped loose for connection and placement by customer

1' 3"
0' 2' 4"

LEGEND





Slope to pond

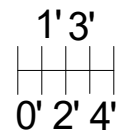
Slope to pond

**Concept, Not
For Construction**

Enviro-Port Drawing #:
BSS 2Truck FS Screendeck 3
2016

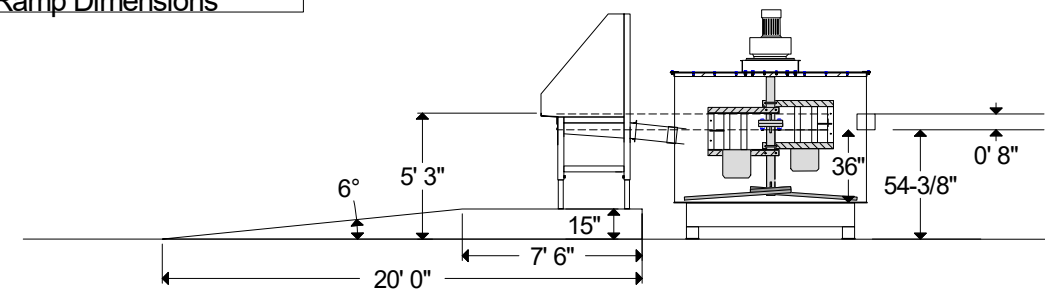
Process water Sump Pump

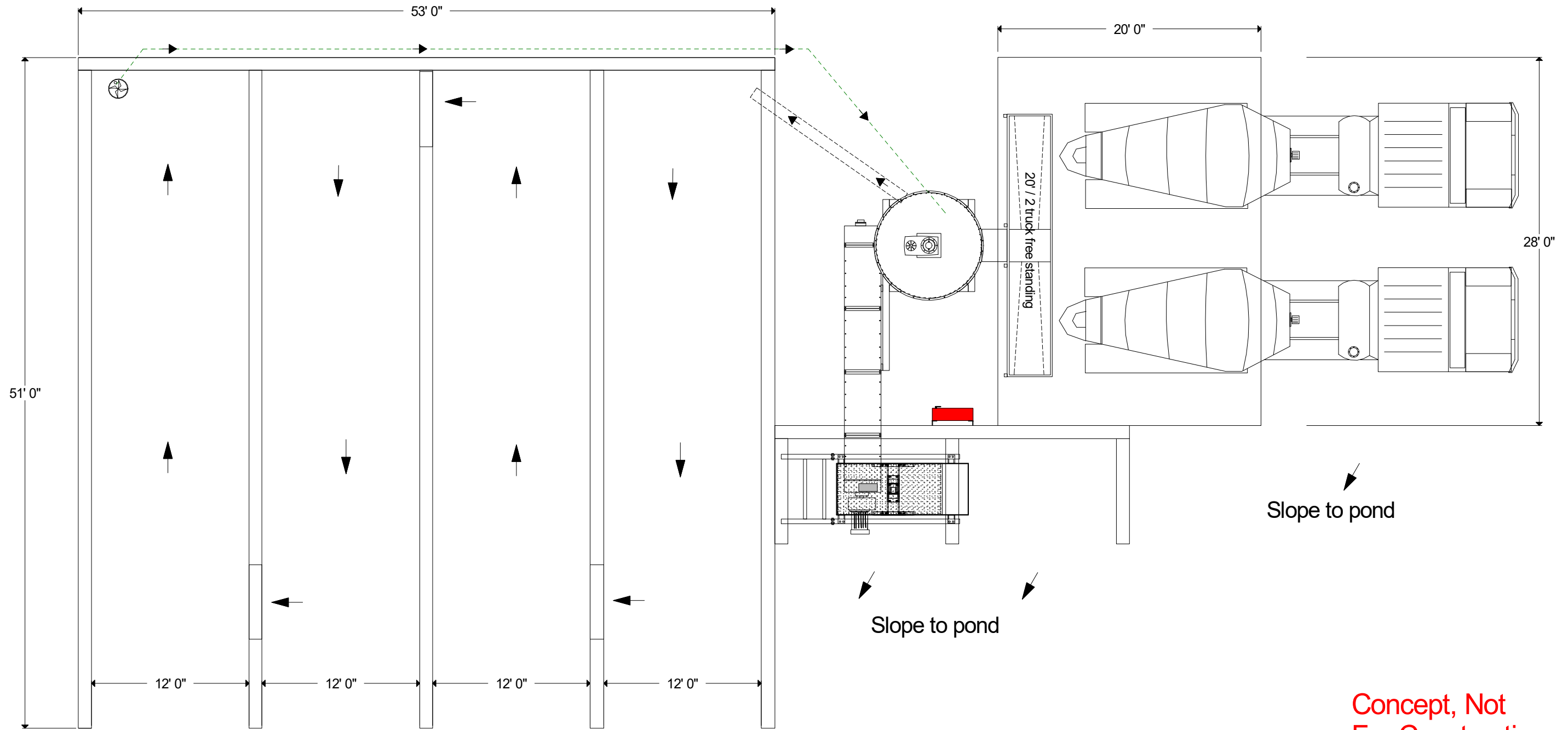
Main Elc. panel shipped loose
for connection and placement
by customer



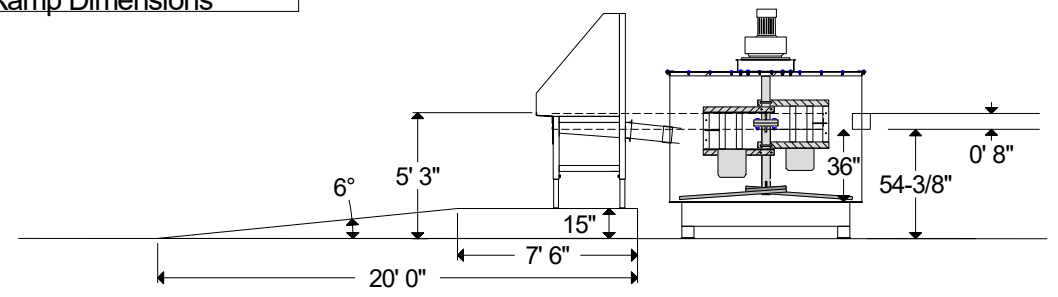
LEGEND

Side view / 20' wide
2 truck discharge
BSS and Transfer Tank
Ramp Dimensions





Side view / 20' wide
2 truck discharge
BSS and Transfer Tank
Ramp Dimensions



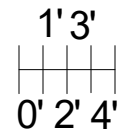
**Concept, Not
For Construction**

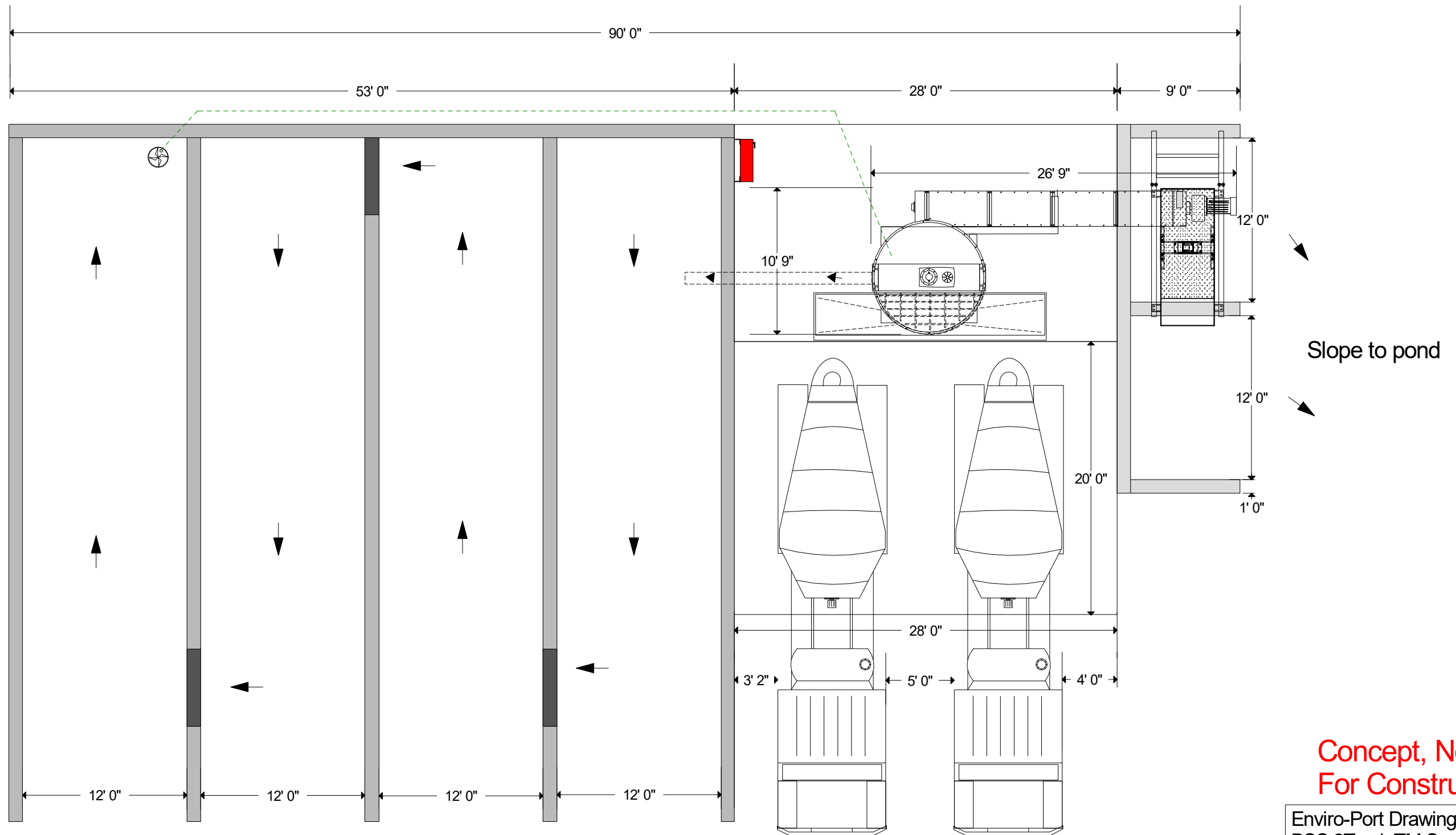
Enviro-Port Drawing #:
BSS 2Truck FS Screendeck 4
2016

Process water Sump Pump

Main Elc. panel shipped loose
for connection and placement
by customer

LEGEND



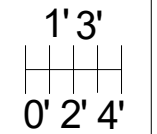


**Concept, Not
For Construction**

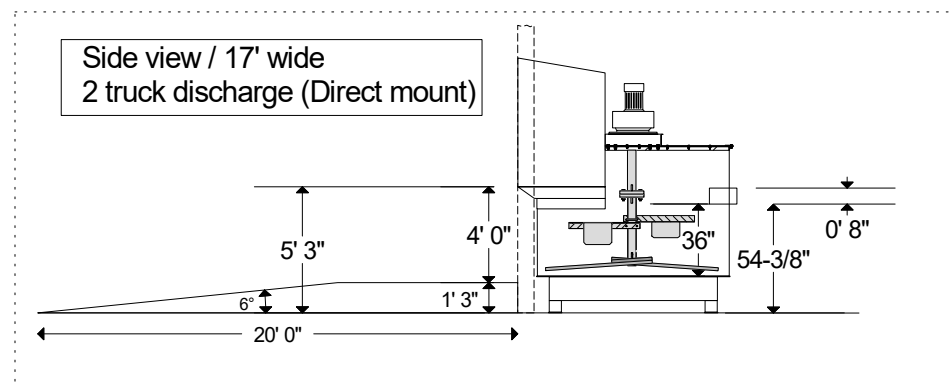
Enviro-Port Drawing #:
BSS 2Truck TM Screendeck 1
2016

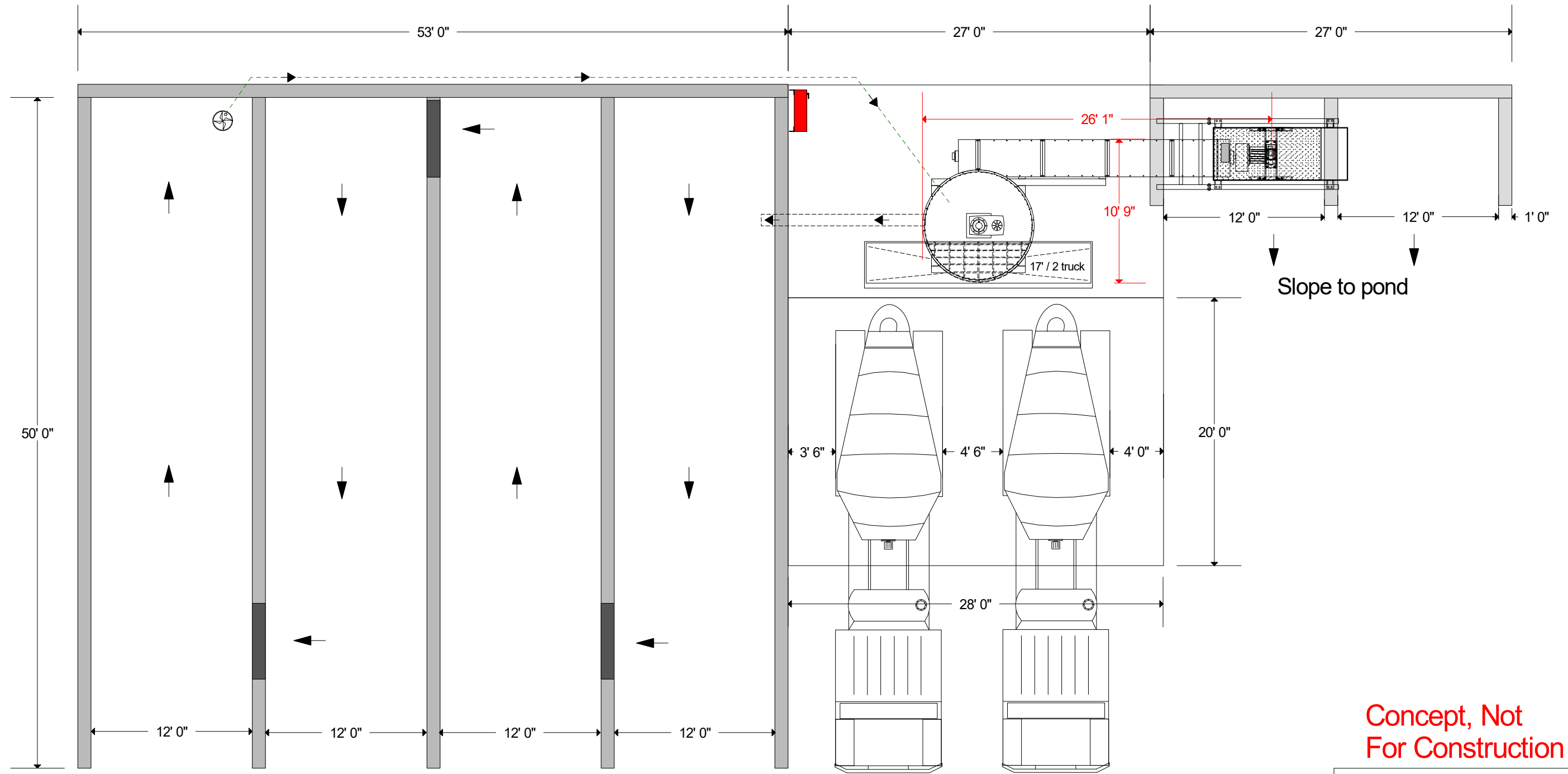
Process water Sump Pump

Main Elc. panel shipped loose
for connection and placement
by customer



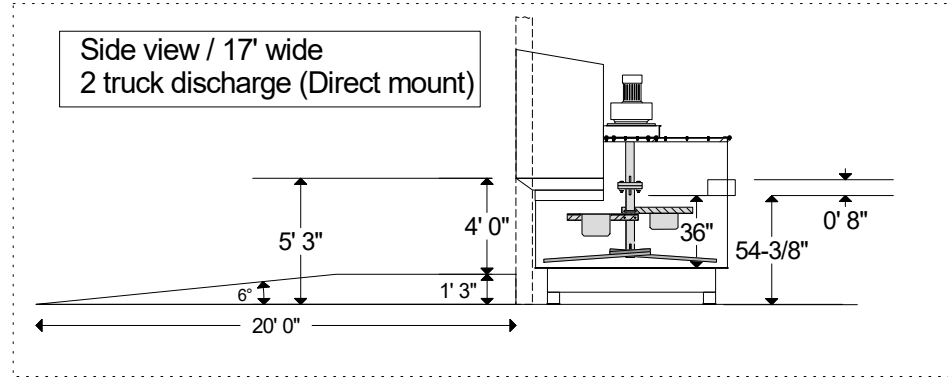
LEGEND





Slope to pond

Slope to pond



**Concept, Not
For Construction**

Enviro-Port Drawing #:
BSS 2Truck TM Screendeck 2
2016

Process water Sump Pump

Main Elc. panel shipped loose
for connection and placement
by customer

LEGEND

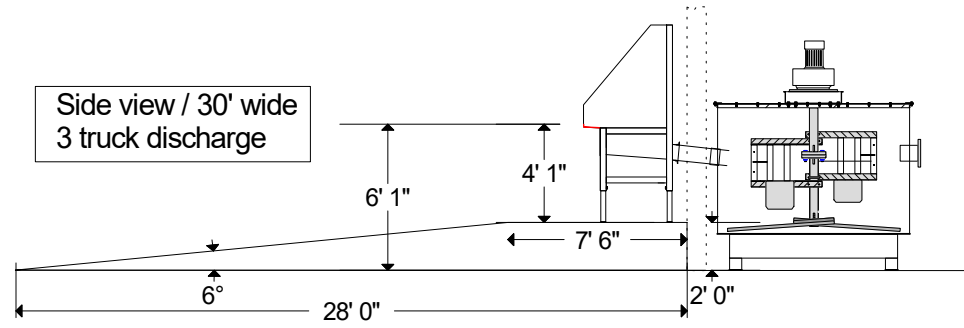
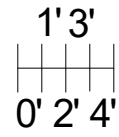
Concept, Not For Construction

Enviro-Port Drawing #:
BSS 3Truck FS 1
2017

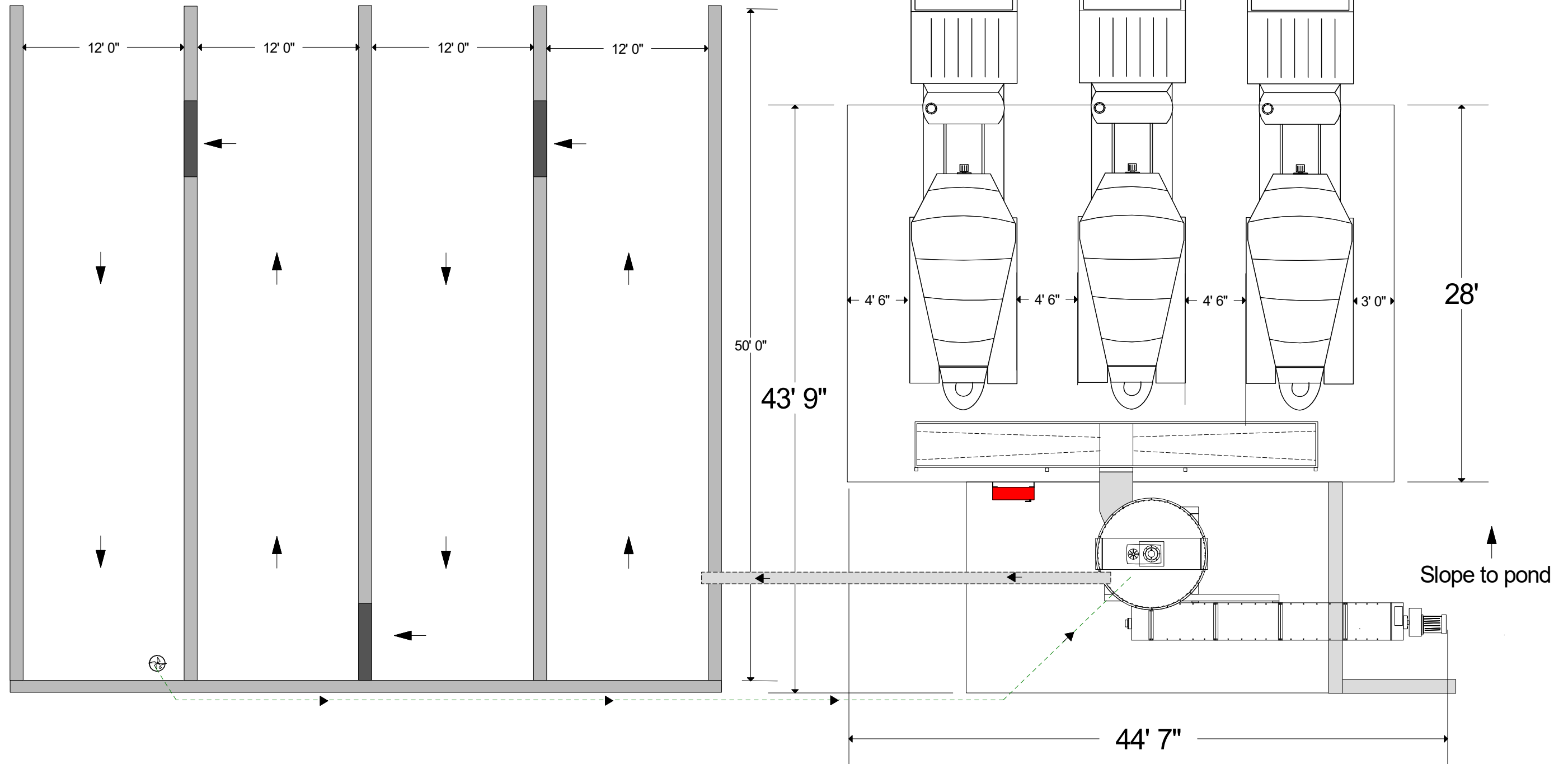
Process water Sump Pump

Main Elc. panel shipped loose for connection and placement by customer

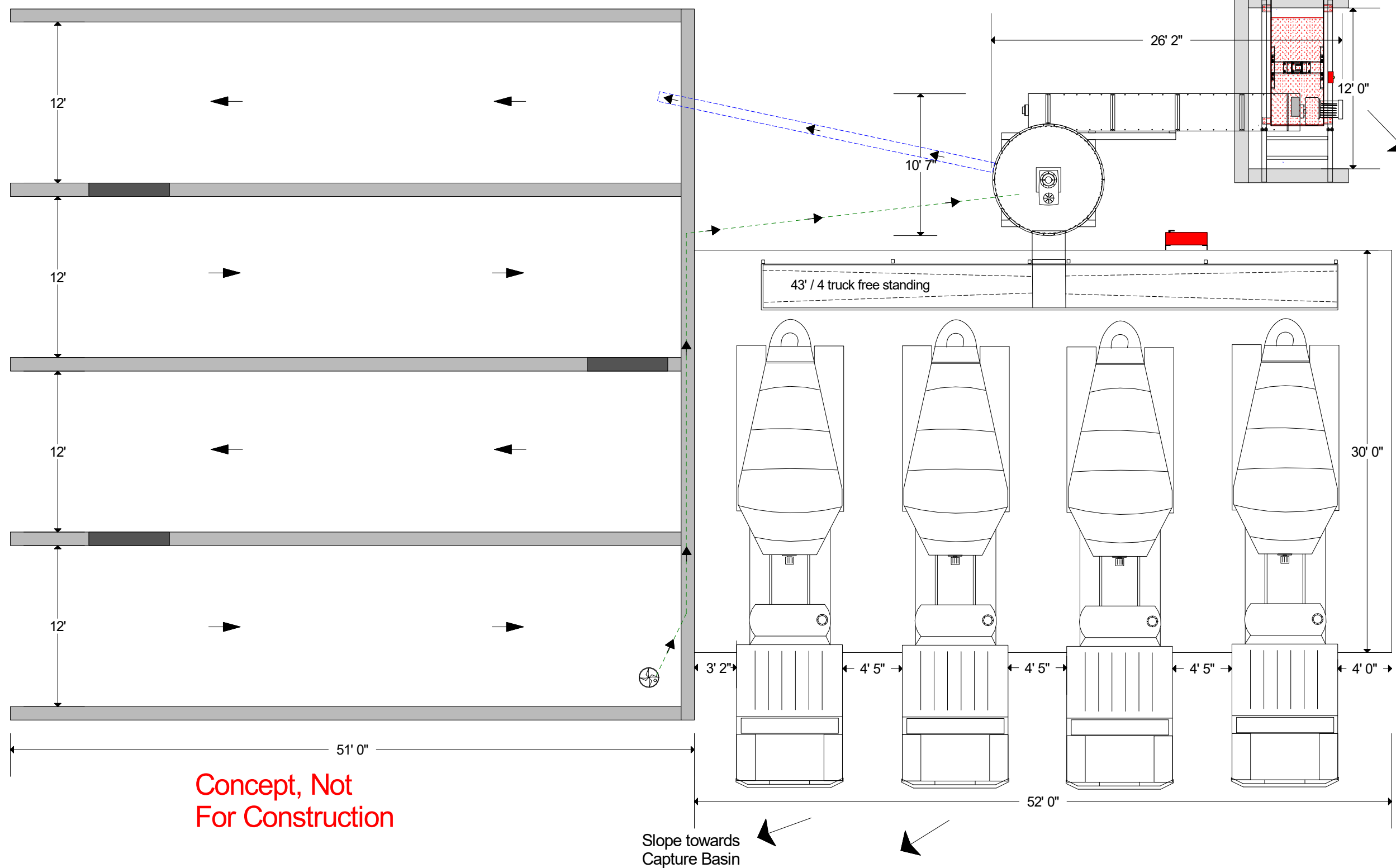
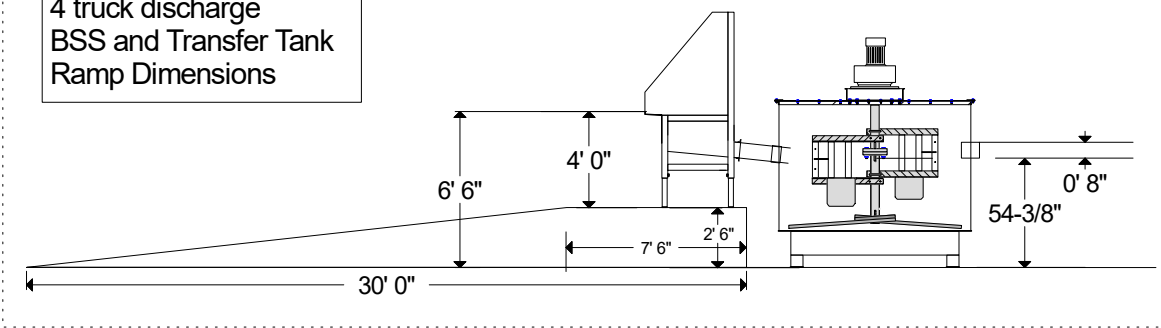
LEGEND



Concept Drawing Not For Construction



Side view / 43' wide
4 truck discharge
BSS and Transfer Tank
Ramp Dimensions



Slope towards
Capture Basin

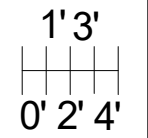
43' / 4 truck free standing

**Concept, Not
For Construction**

Enviro-Port Drawing #:
BSS 4Truck FS Screendeck 1
2016

Process water Sump Pump

Main Elc. panel shipped loose
for connection and placement
by customer

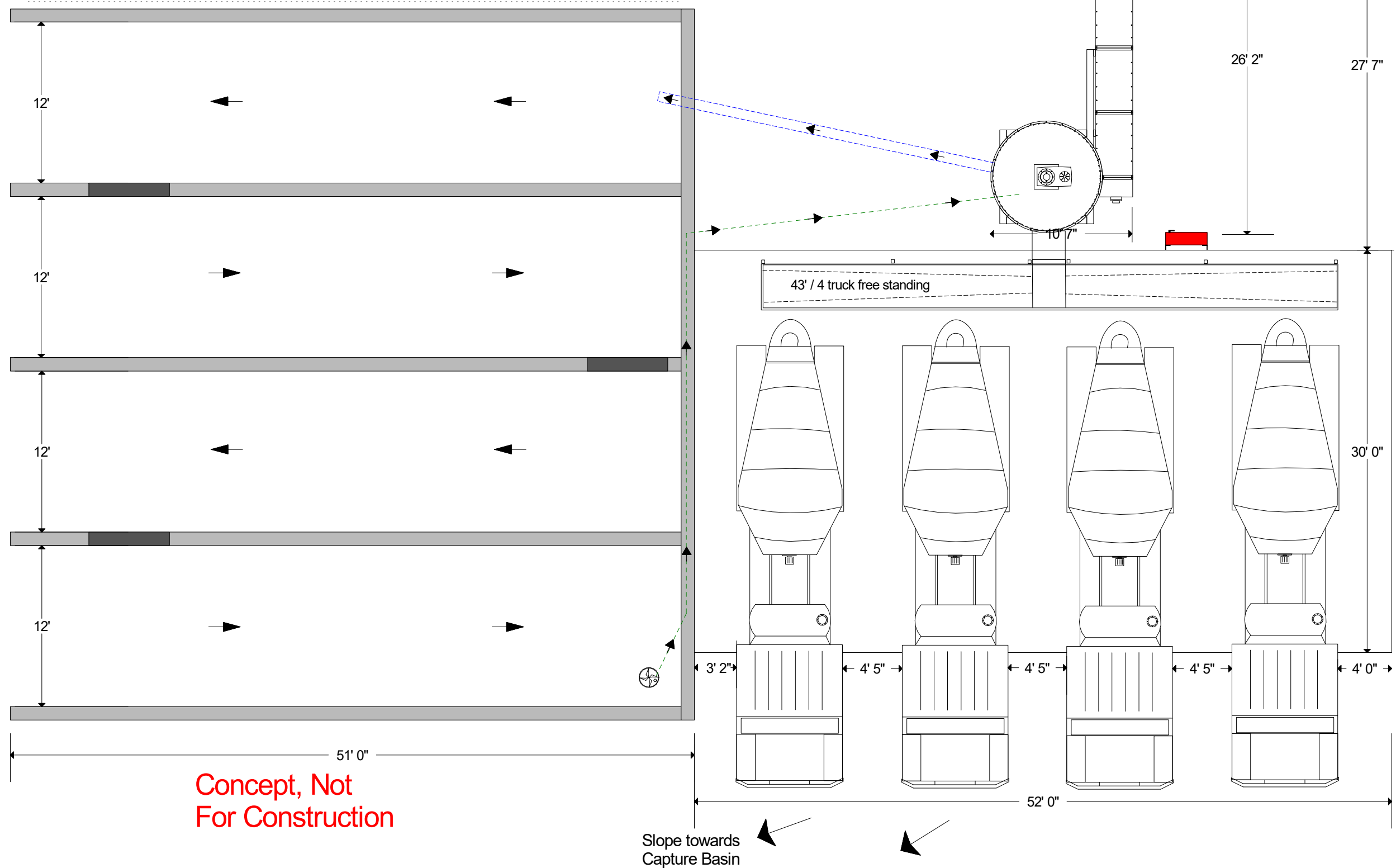
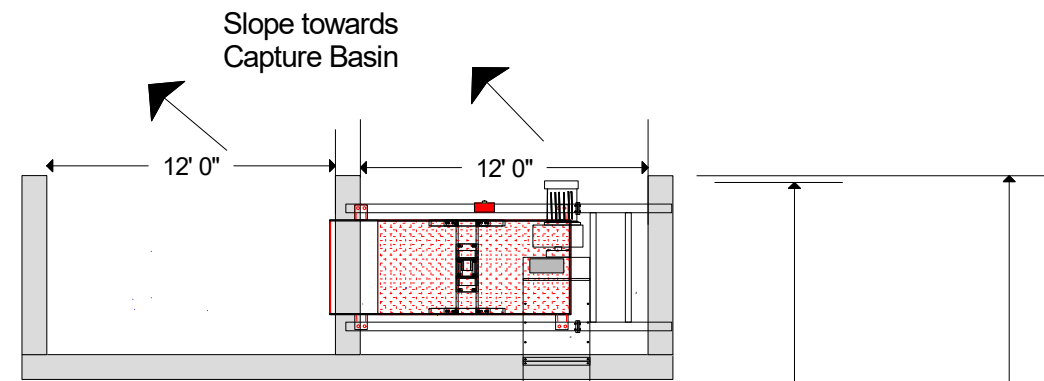
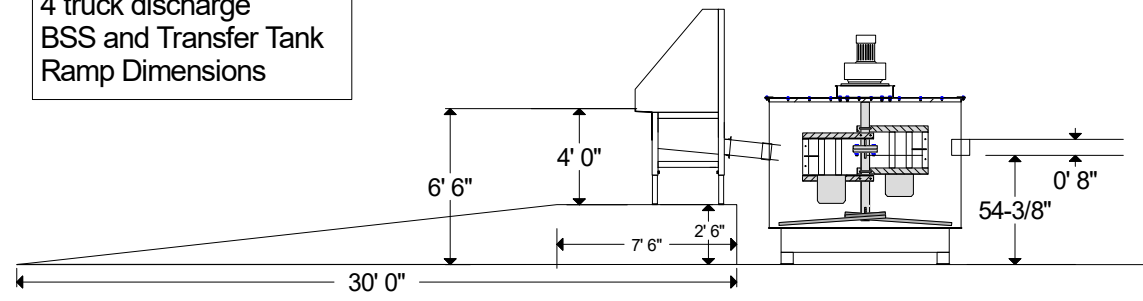


LEGEND

**Concept, Not
For Construction**

Slope towards
Capture Basin

Side view / 43' wide
4 truck discharge
BSS and Transfer Tank
Ramp Dimensions



Concept, Not
For Construction

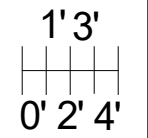
Concept, Not
For Construction

Enviro-Port Drawing #:
BSS 4Truck FS Screendeck 2
2016

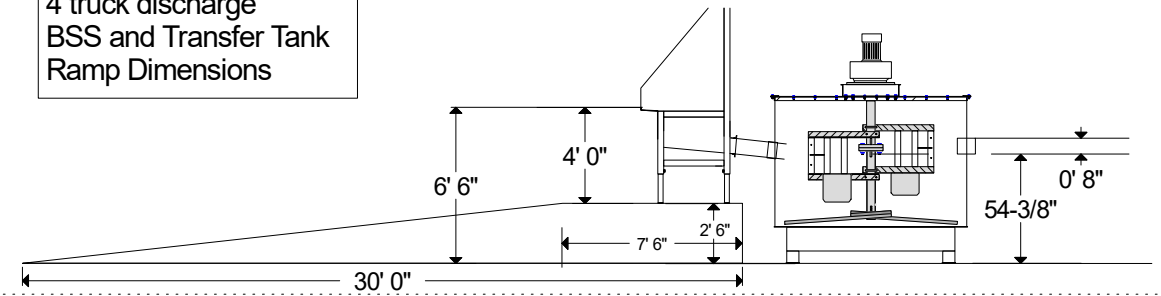
Process water Sump Pump

Main Elc. panel shipped loose
for connection and placement
by customer

LEGEND



Side view / 43' wide
4 truck discharge
BSS and Transfer Tank
Ramp Dimensions

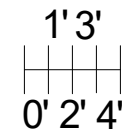


Enviro-Port Drawing #:
BSS 4Truck FS Screendeck 3
2016

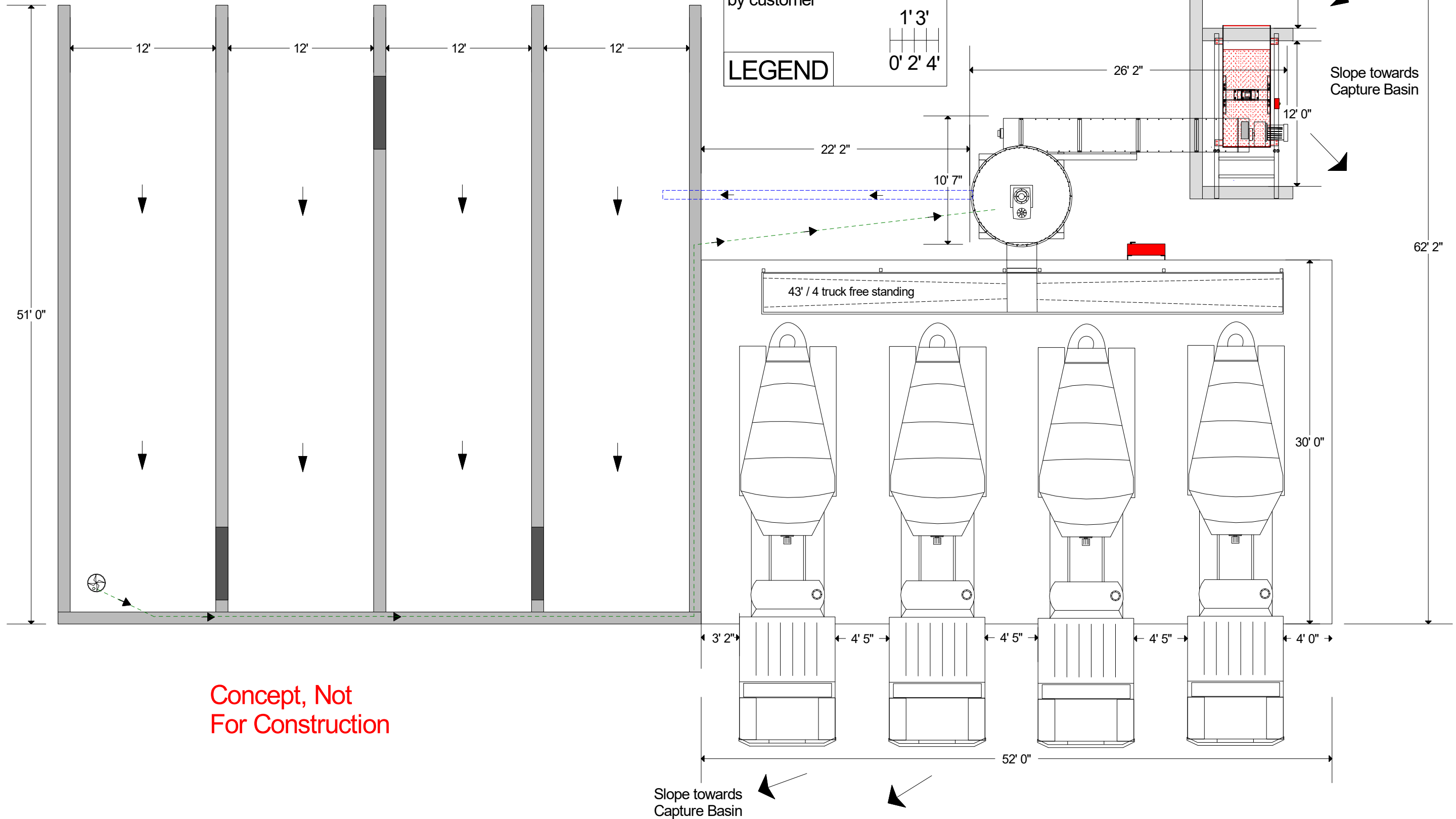
Process water Sump Pump

Main Etc. panel shipped loose
for connection and placement
by customer

LEGEND



Concept, Not
For Construction



Concept, Not
For Construction

Slope towards
Capture Basin

Slope towards
Capture Basin