
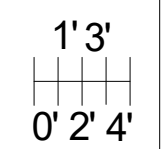
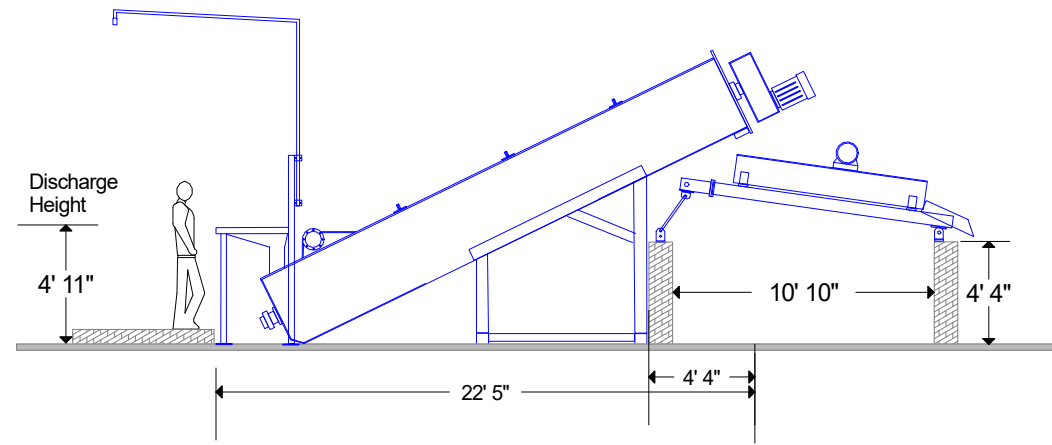


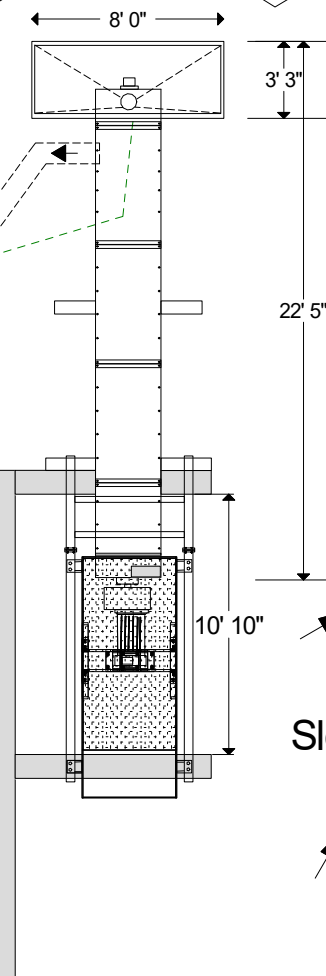
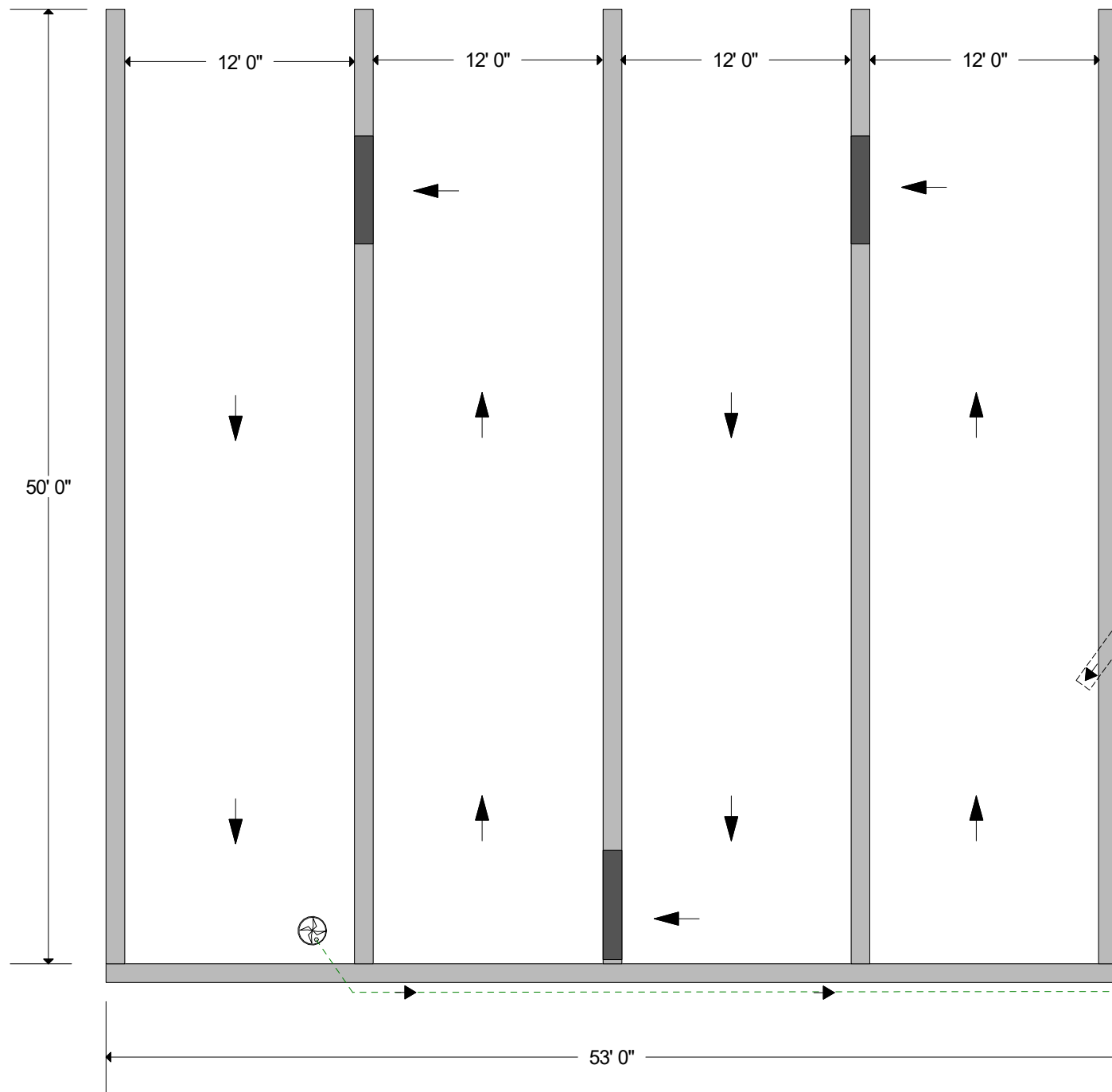
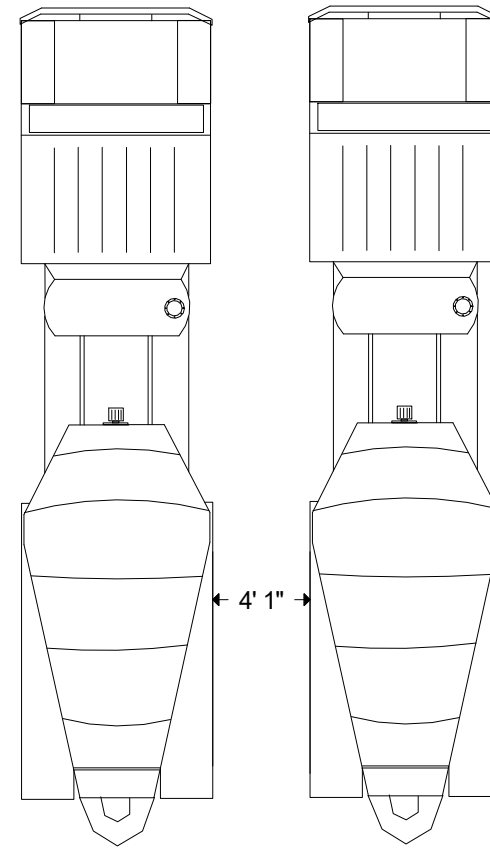
**Concept, Not
For Construction**

Enviro-Port Drawing #:
WOAP 2Truck Screendeck 1
2017

 Process water Sump Pump
LEGEND




Slope to pond

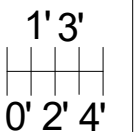


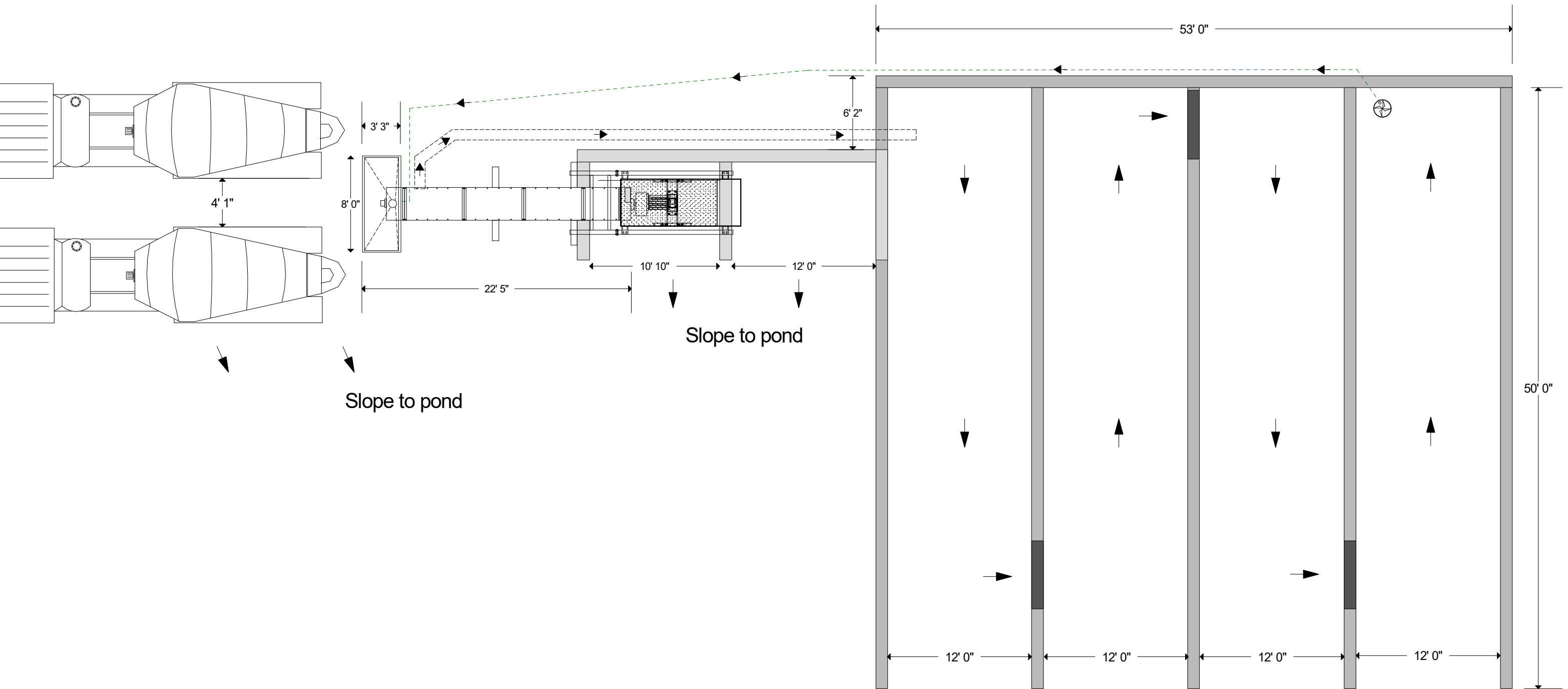
Concept, Not
For Construction

Enviro-Port Drawing #:
WOAP 2Truck Screendeck 2
2017

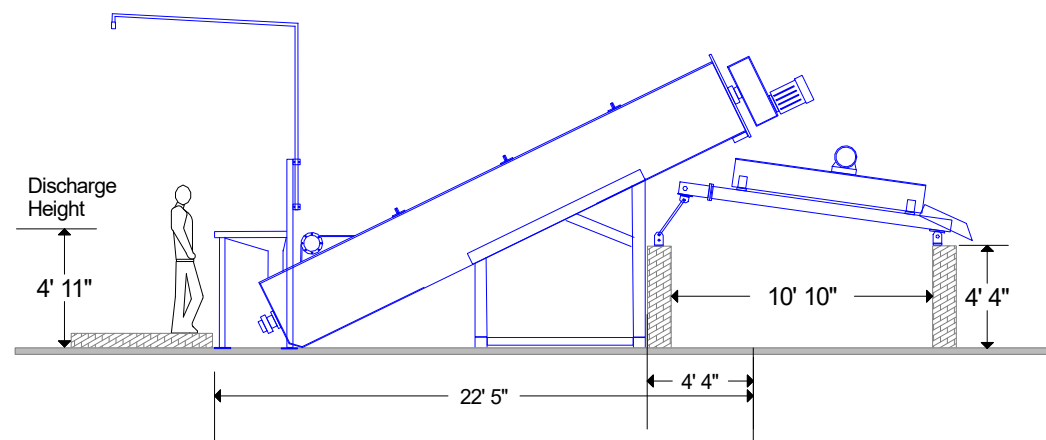
Process water Sump Pump

LEGEND





Concept, Not For Construction



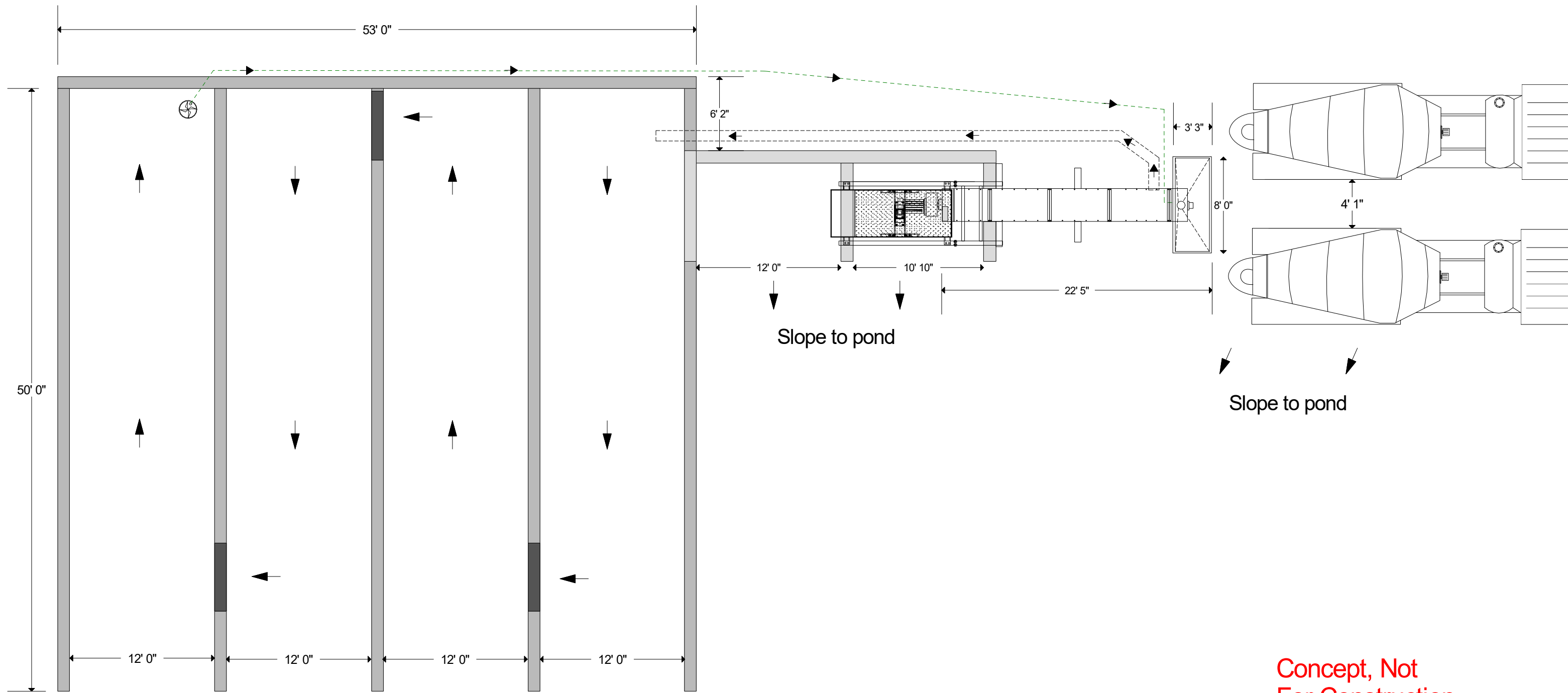
Concept, Not For Construction

Enviro-Port Drawing #:
WOAP 2Truck Screendeck 3
2017

Process water Sump Pump

LEGEND

1' 3"
0' 2' 4"

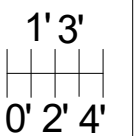


**Concept, Not
For Construction**

Enviro-Port Drawing #:
WOAP 2Truck Screendeck 4
2017

Process water Sump Pump

LEGEND



**Concept, Not
For Construction**

