

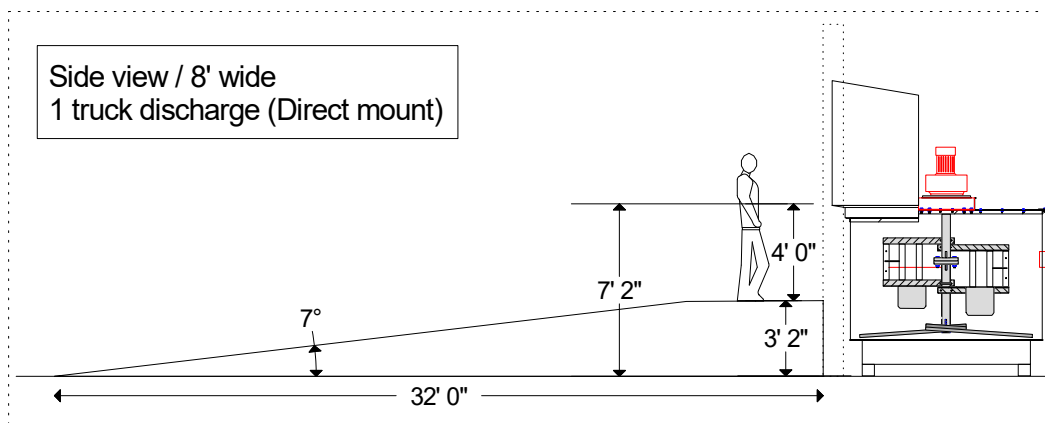
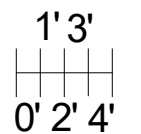
**Concept, Not  
For Construction**

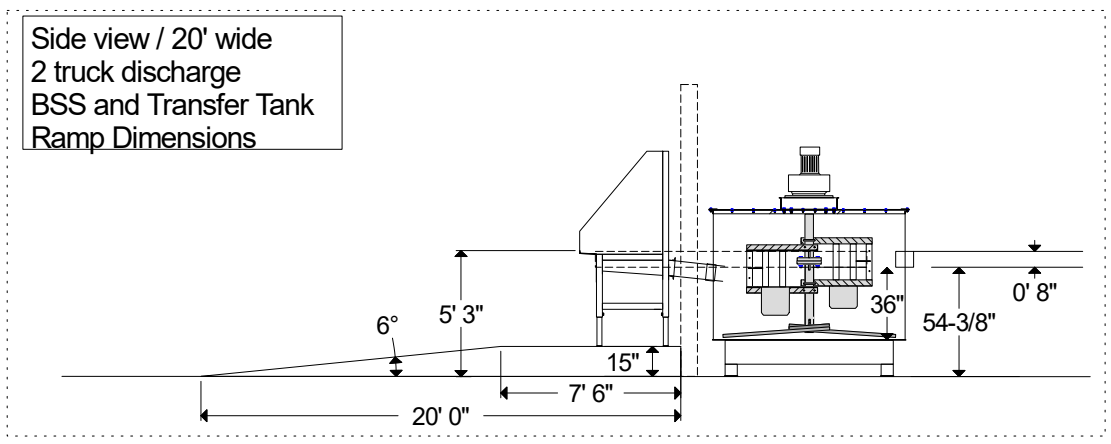
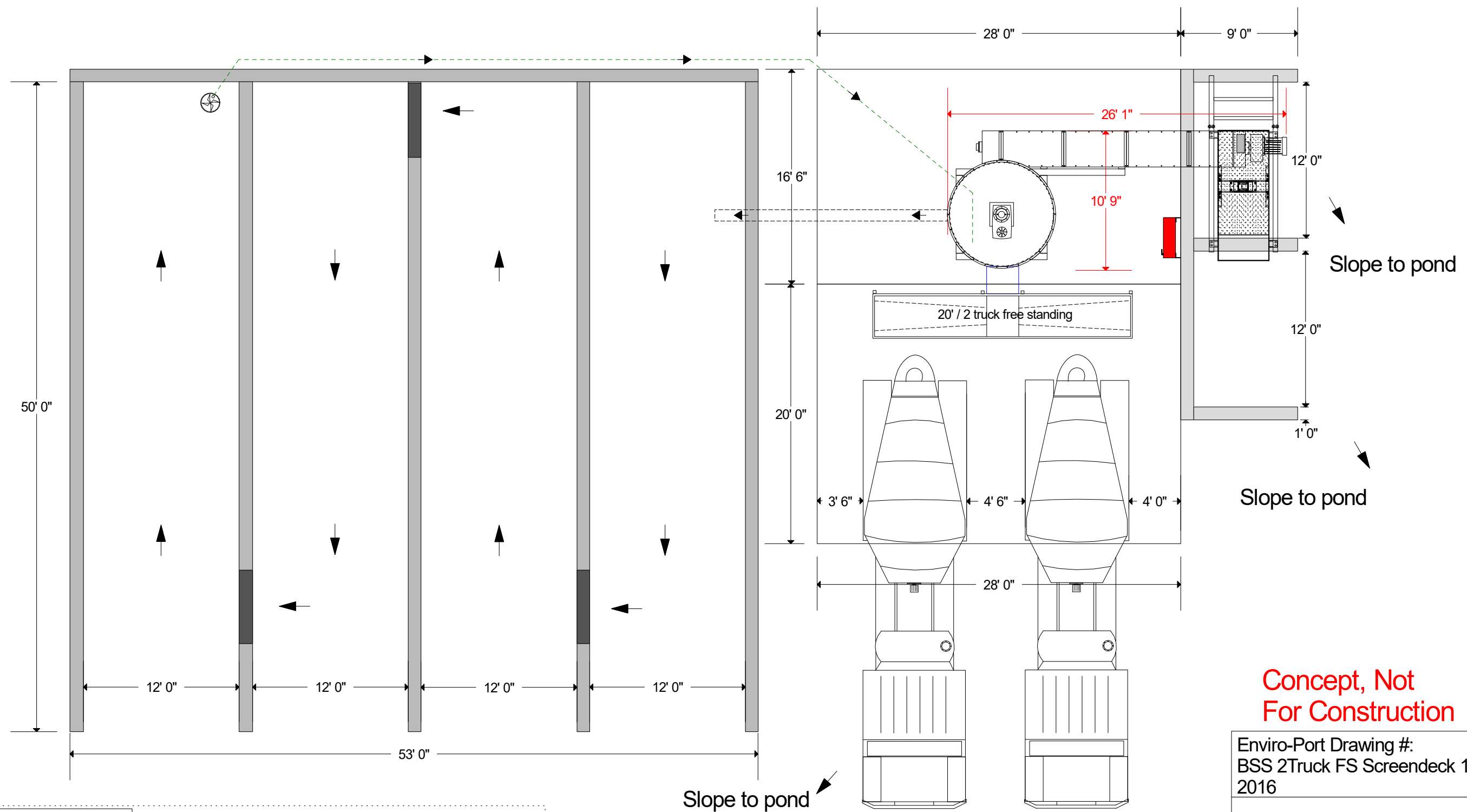
Enviro-Port Drawing #:  
BSS 1Truck TM 1  
2016

Process water Sump Pump

Main Elc. panel shipped loose  
for connection and placement  
by customer

**LEGEND**




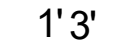



**Concept, Not  
For Construction**

Enviro-Port Drawing #:  
BSS 2Truck FS Screendeck 1  
2016

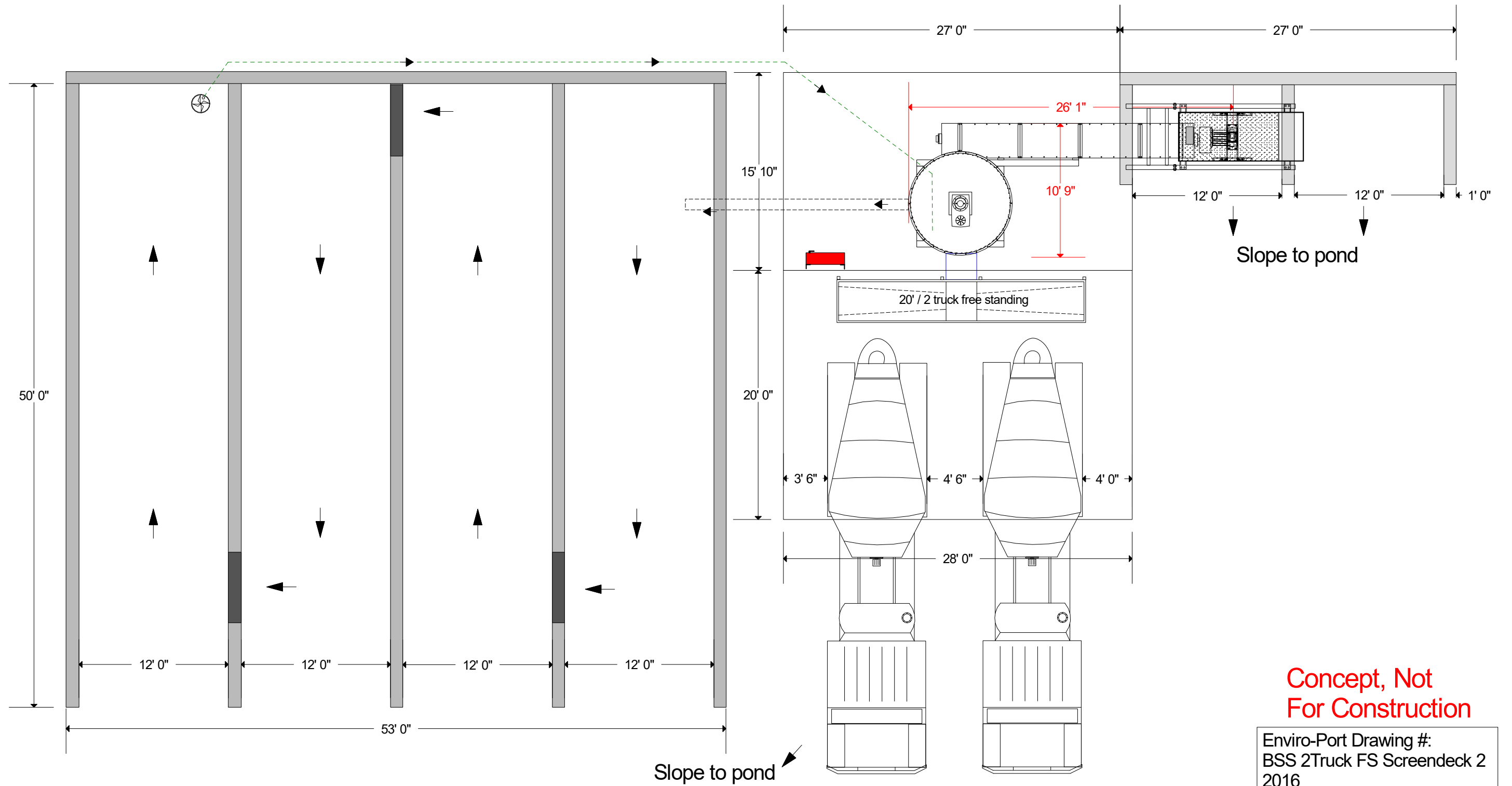
Process water Sump Pump

 Main Elc. panel shipped loose for connection and placement by customer

 1' 3"

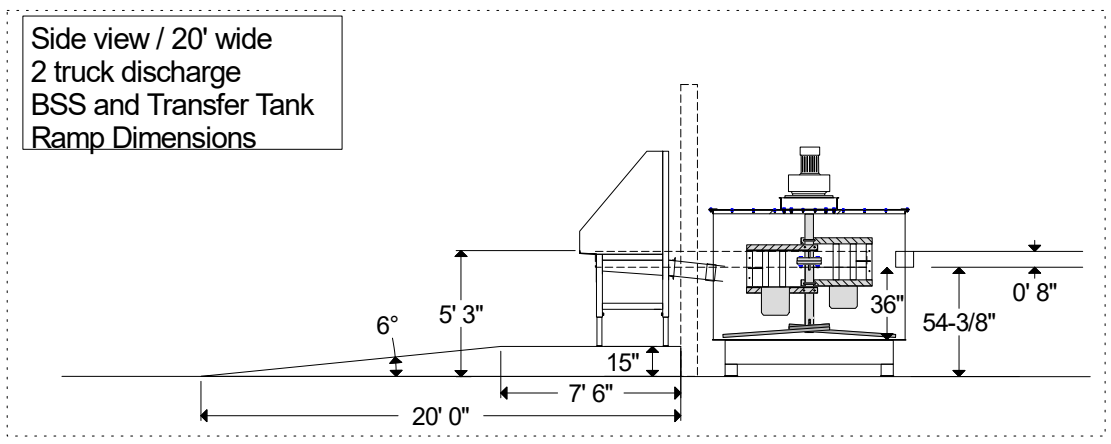
 0' 2' 4"

**LEGEND**



**Concept, Not  
For Construction**

Enviro-Port Drawing #:  
BSS 2Truck FS Screendeck 2  
2016

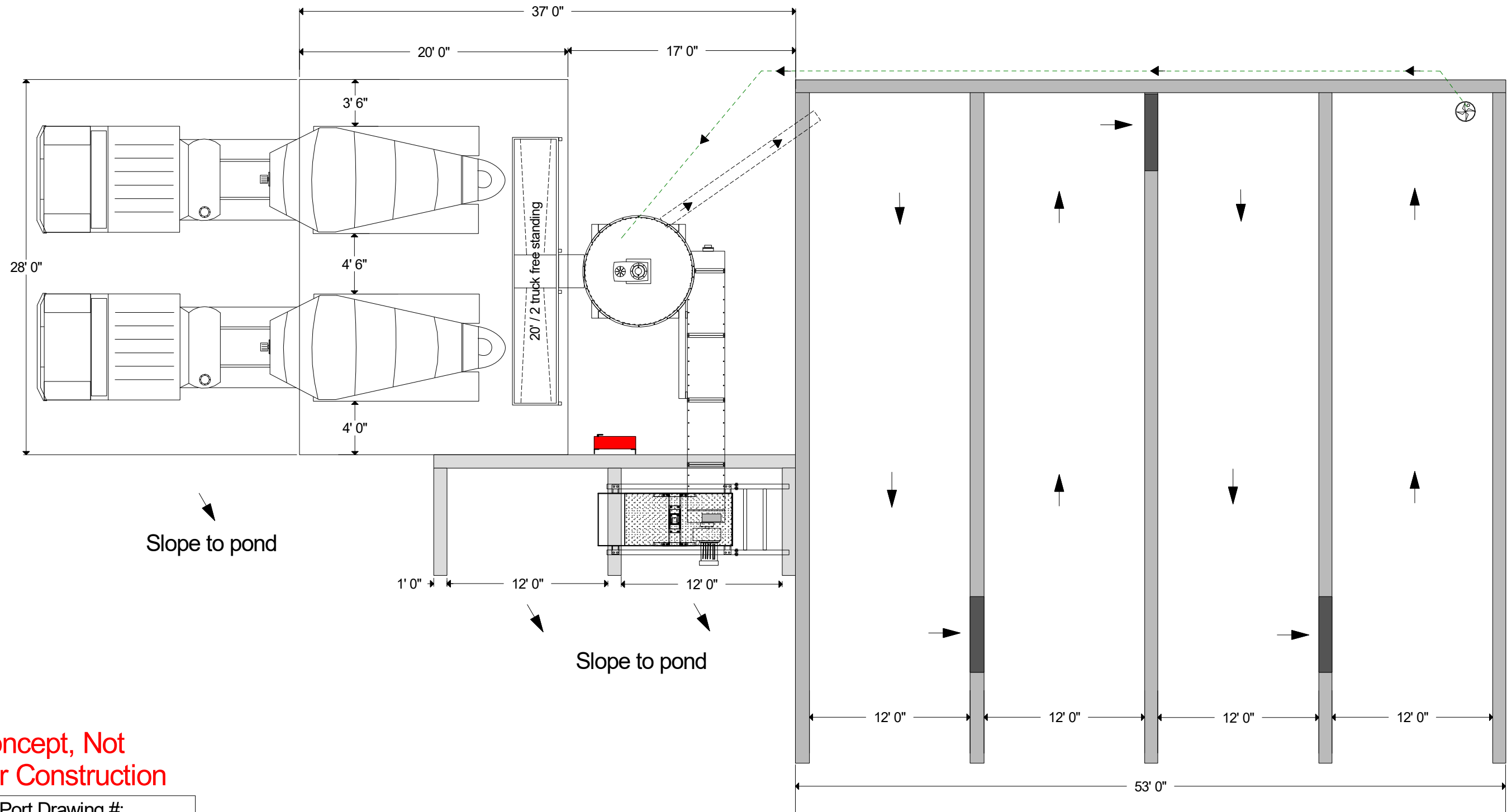


--- Process water Sump Pump

Main Elc. panel shipped loose for connection and placement by customer

1' 3"  
0' 2' 4"

**LEGEND**

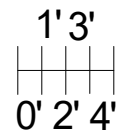


**Concept, Not  
For Construction**

Enviro-Port Drawing #:  
BSS 2Truck FS Screendeck 3  
2016

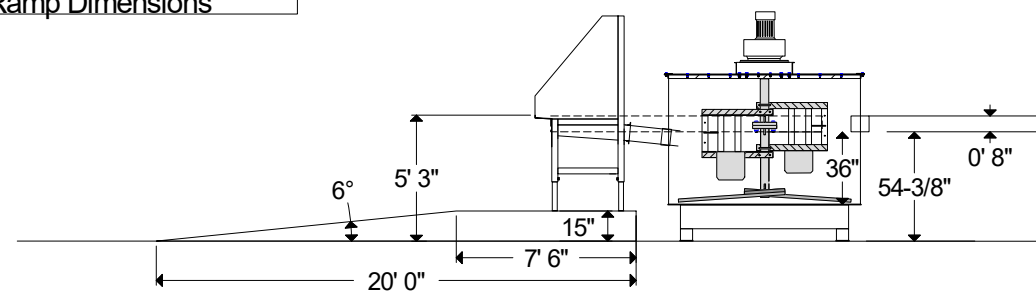
Process water Sump Pump

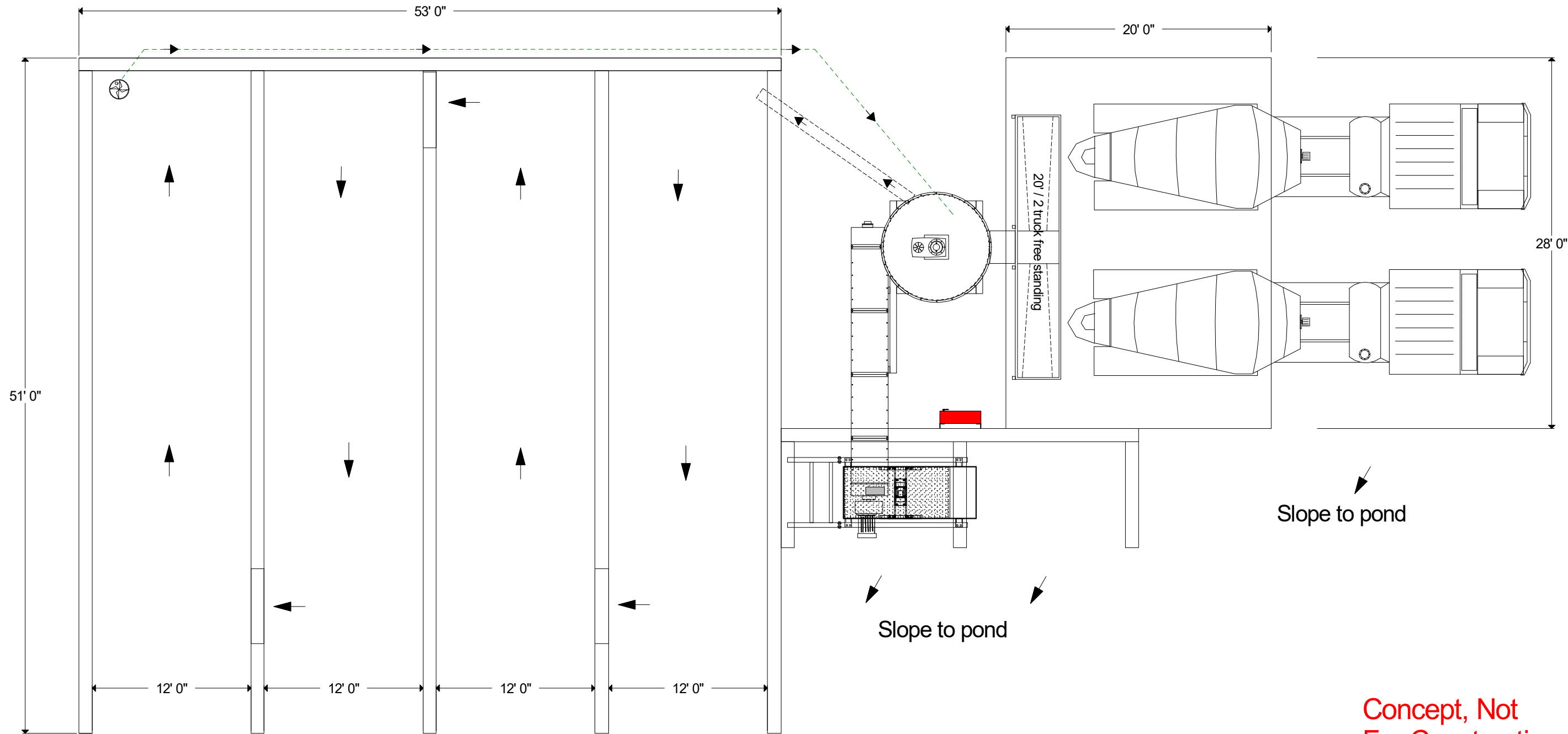
Main Elc. panel shipped loose  
for connection and placement  
by customer



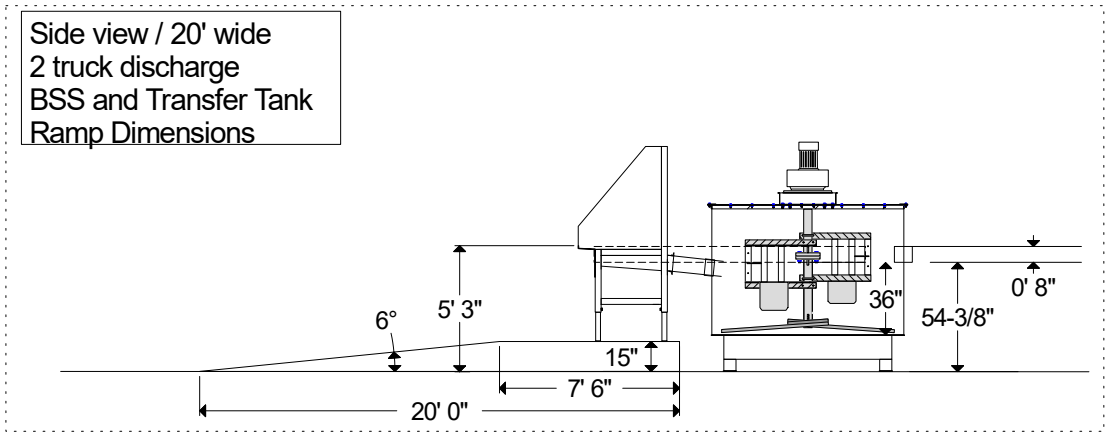
**LEGEND**

Side view / 20' wide  
2 truck discharge  
BSS and Transfer Tank  
Ramp Dimensions





**Concept, Not  
For Construction**

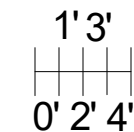


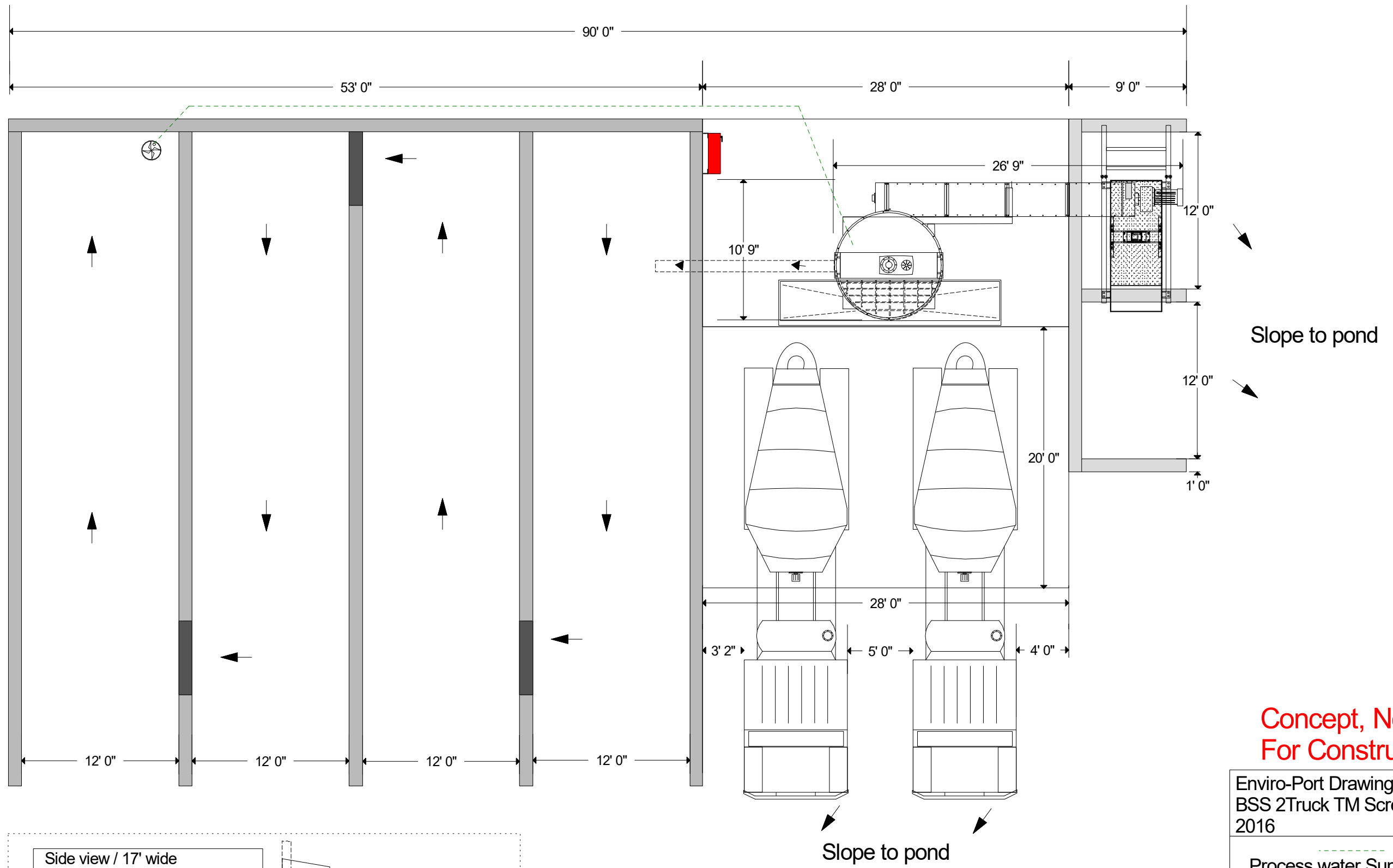
Enviro-Port Drawing #:  
BSS 2Truck FS Screendeck 4  
2016

Process water Sump Pump

Main Elc. panel shipped loose  
for connection and placement  
by customer

**LEGEND**





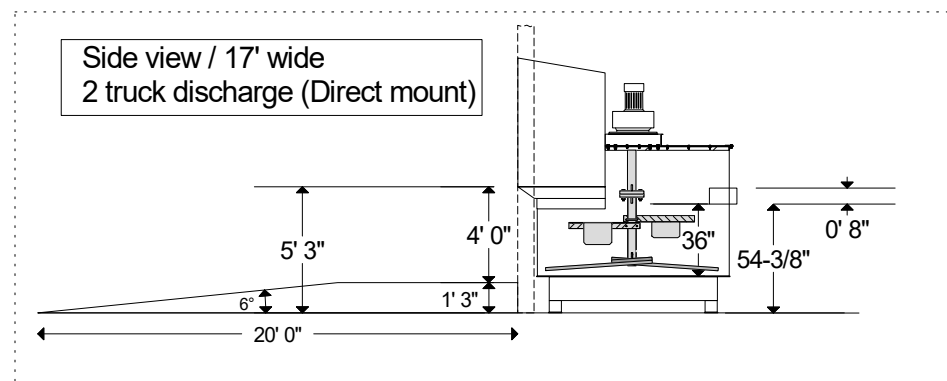
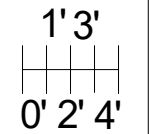
**Concept, Not  
For Construction**

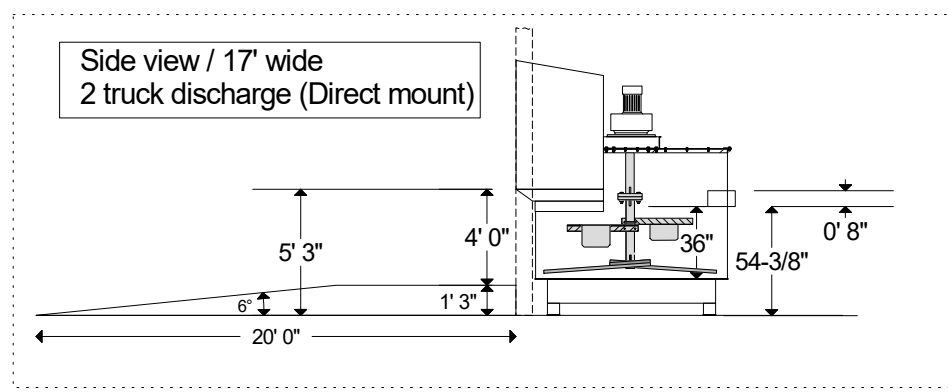
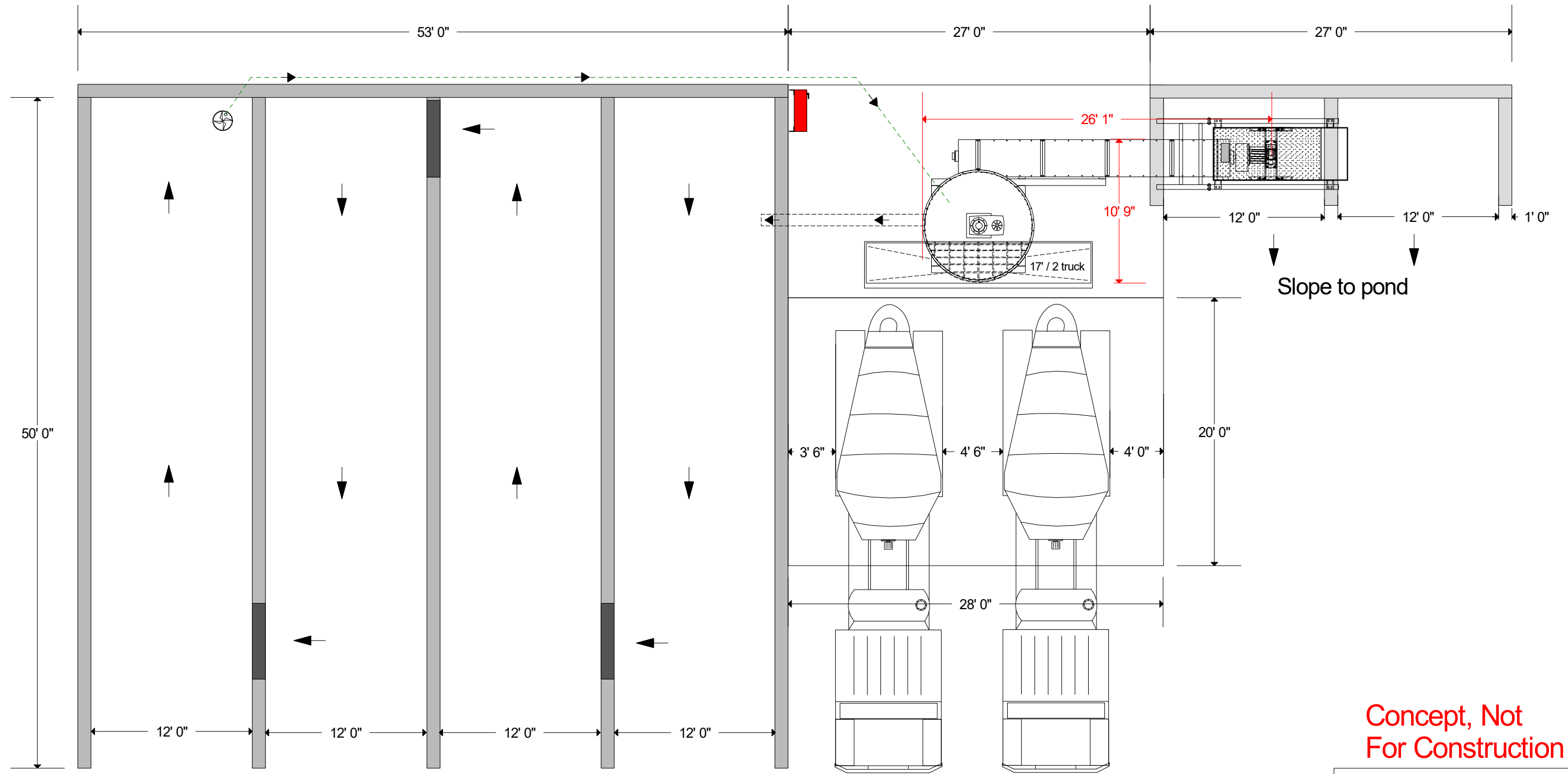
Enviro-Port Drawing #:  
BSS 2Truck TM Screendeck 1  
2016

Process water Sump Pump

Main Elc. panel shipped loose  
for connection and placement  
by customer

LEGEND





**Concept, Not  
For Construction**

Enviro-Port Drawing #:  
BSS 2Truck TM Screendeck 2  
2016

Process water Sump Pump

Main Etc. panel shipped loose  
for connection and placement  
by customer

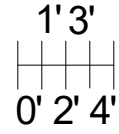
**LEGEND**

Concept, Not For Construction

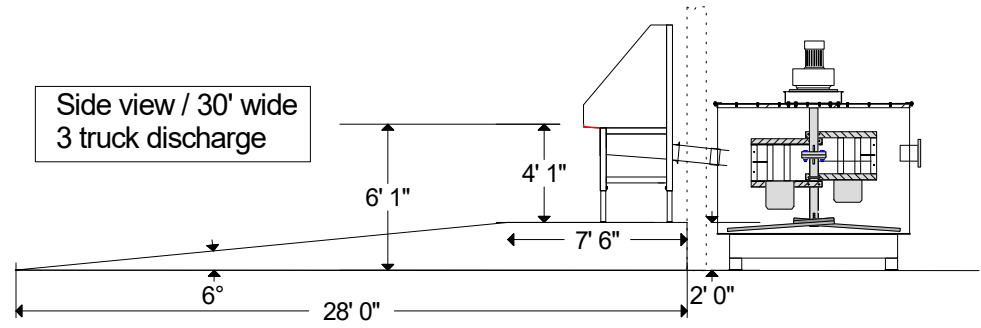
Enviro-Port Drawing #:  
BSS 3Truck FS 1  
2017

Process water Sump Pump

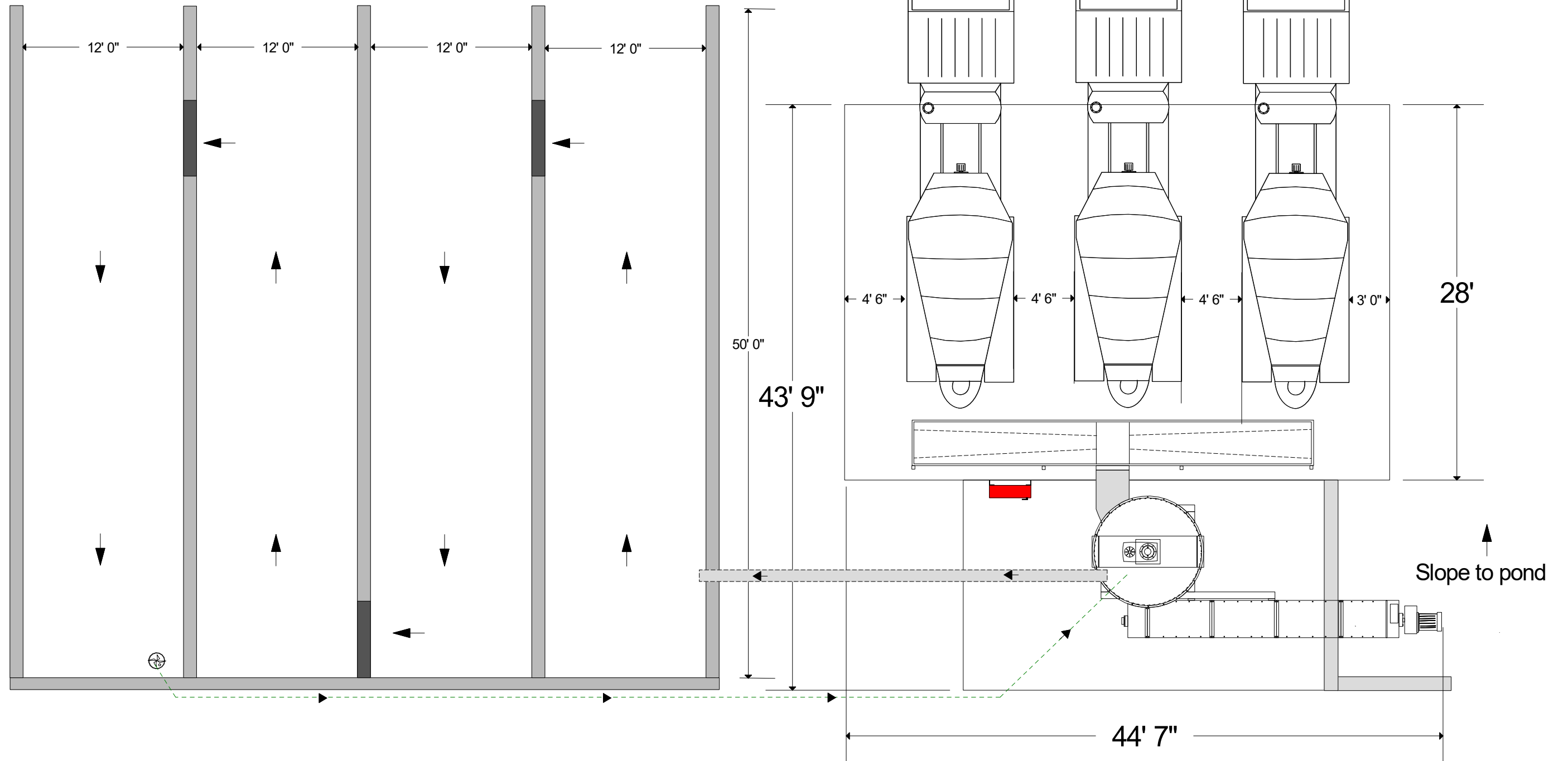
Main Elc. panel shipped loose for connection and placement by customer



LEGEND



Concept Drawing Not For Construction

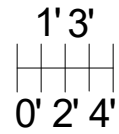




Enviro-Port Drawing #:  
BSS 3Truck Screendeck 1  
2017

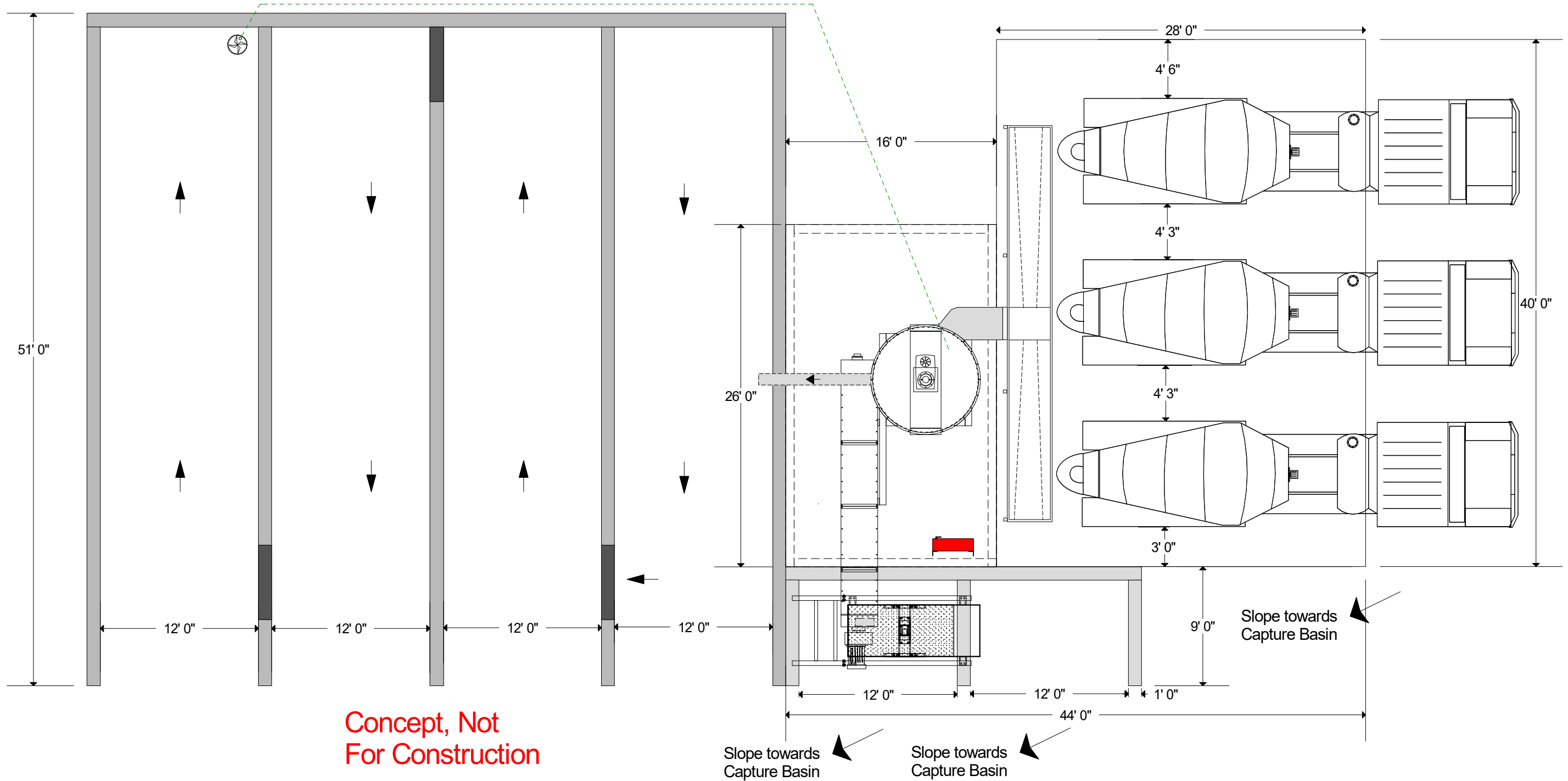
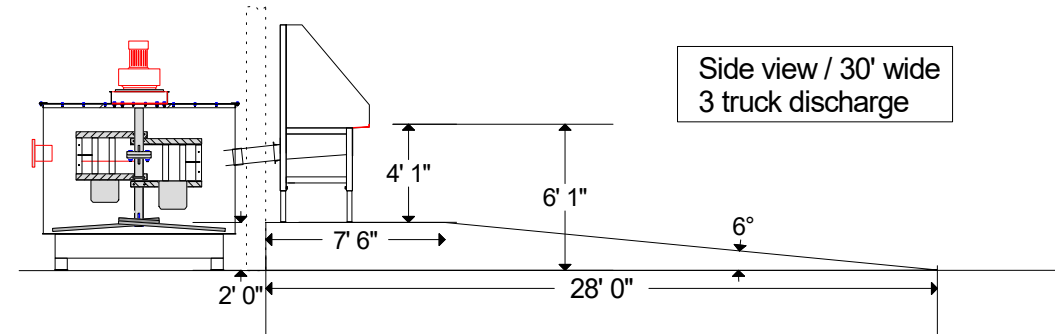
Process water Sump Pump

Main Etc. panel shipped loose  
for connection and placement  
by customer



LEGEND

Concept, Not  
For Construction



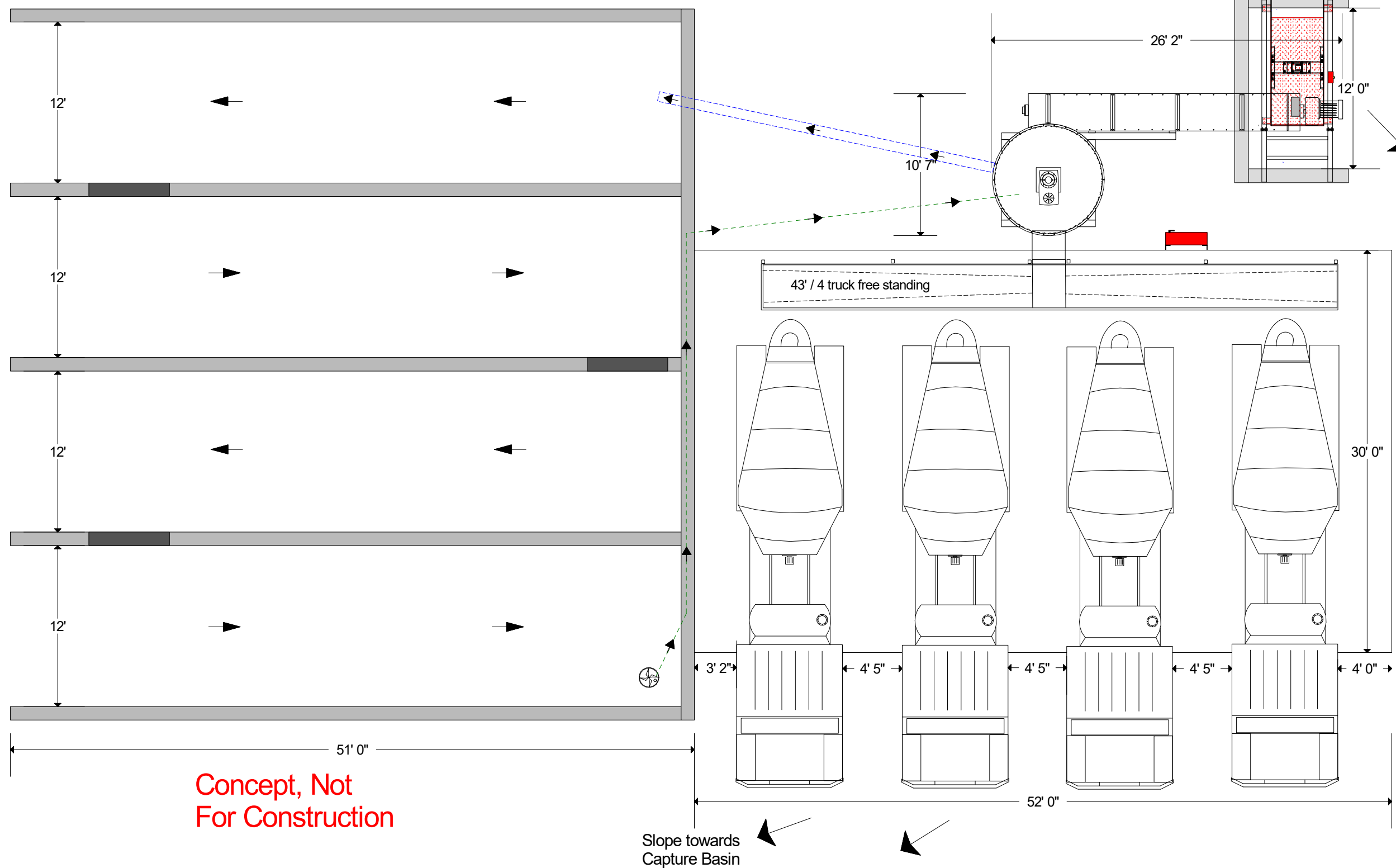
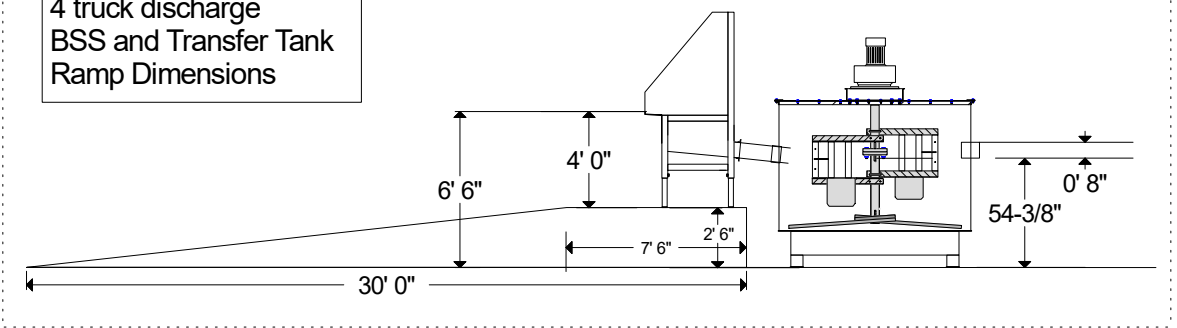
Concept, Not  
For Construction

Slope towards  
Capture Basin

Slope towards  
Capture Basin

Slope towards  
Capture Basin

Side view / 43' wide  
4 truck discharge  
BSS and Transfer Tank  
Ramp Dimensions



Slope towards  
Capture Basin

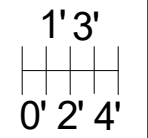
**Concept, Not  
For Construction**

Enviro-Port Drawing #:  
BSS 4Truck FS Screendeck 1  
2016

Process water Sump Pump

Main Elc. panel shipped loose  
for connection and placement  
by customer

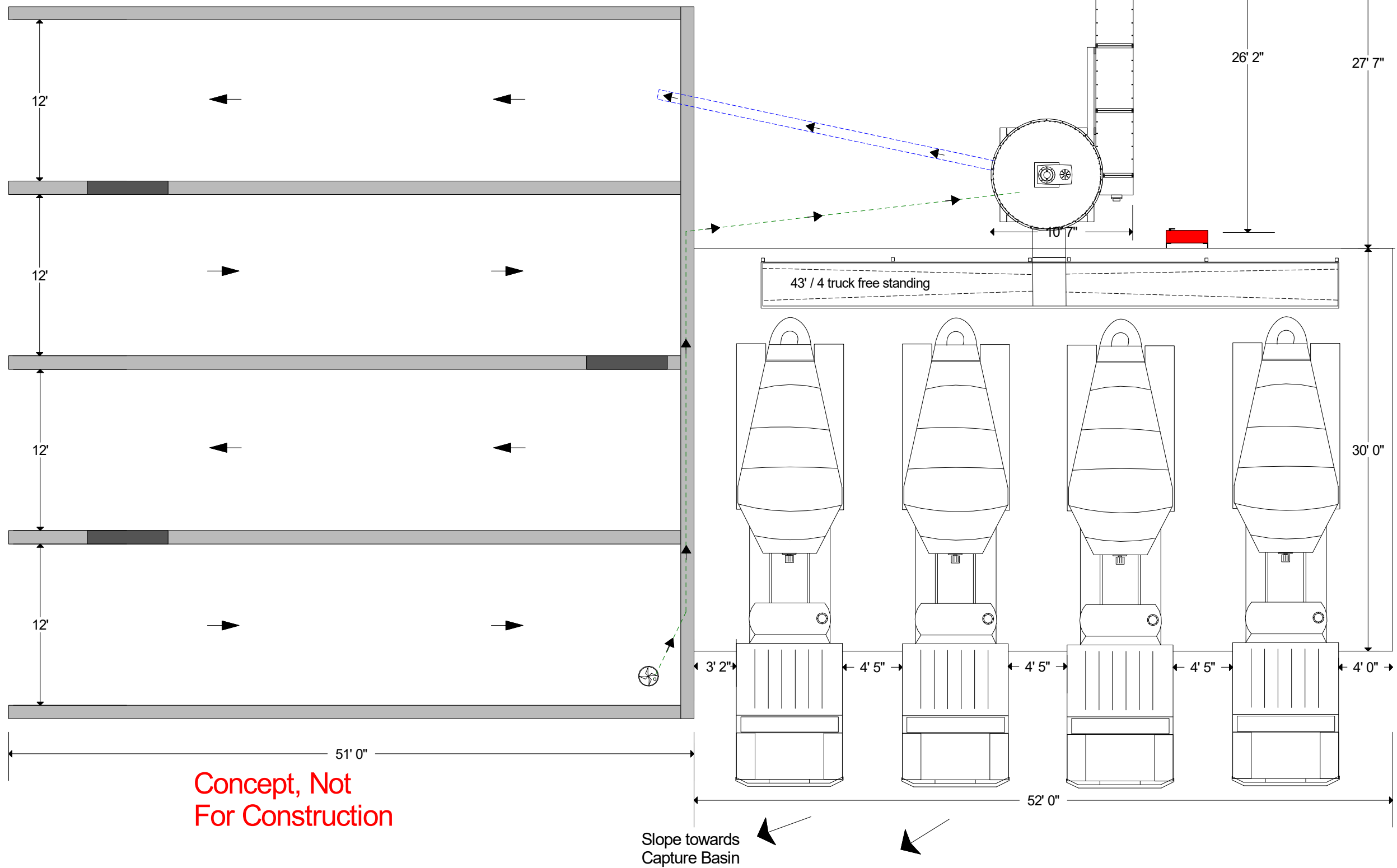
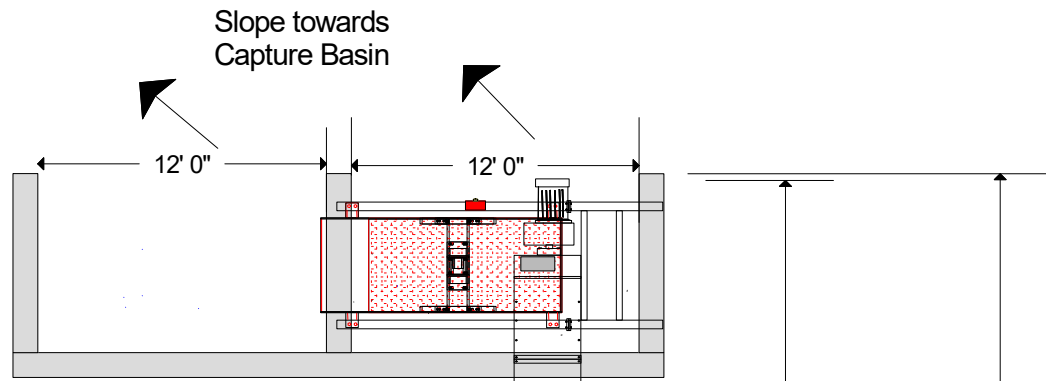
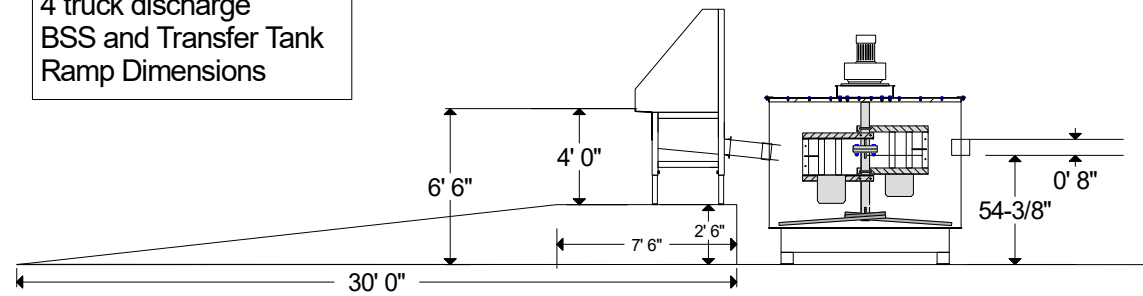
**LEGEND**



**Concept, Not  
For Construction**

Slope towards  
Capture Basin

Side view / 43' wide  
4 truck discharge  
BSS and Transfer Tank  
Ramp Dimensions



Concept, Not  
For Construction

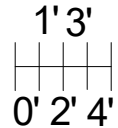
Concept, Not  
For Construction

Enviro-Port Drawing #:  
BSS 4Truck FS Screendeck 2  
2016

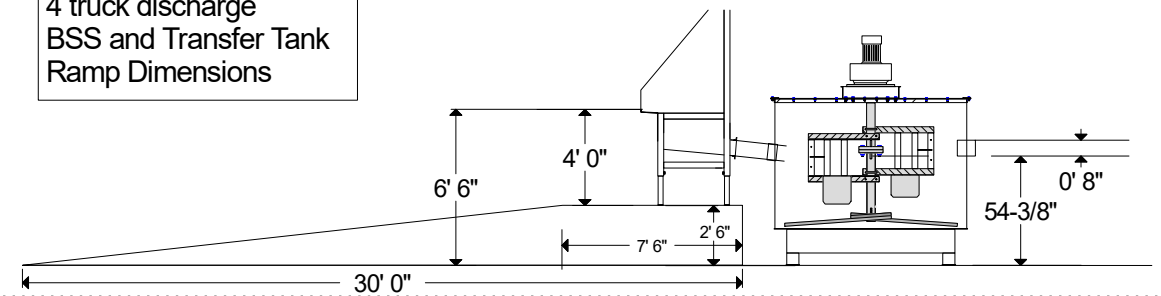
Process water Sump Pump

Main Elc. panel shipped loose  
for connection and placement  
by customer

LEGEND



Side view / 43' wide  
4 truck discharge  
BSS and Transfer Tank  
Ramp Dimensions

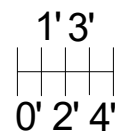


Enviro-Port Drawing #:  
BSS 4Truck FS Screendeck 3  
2016

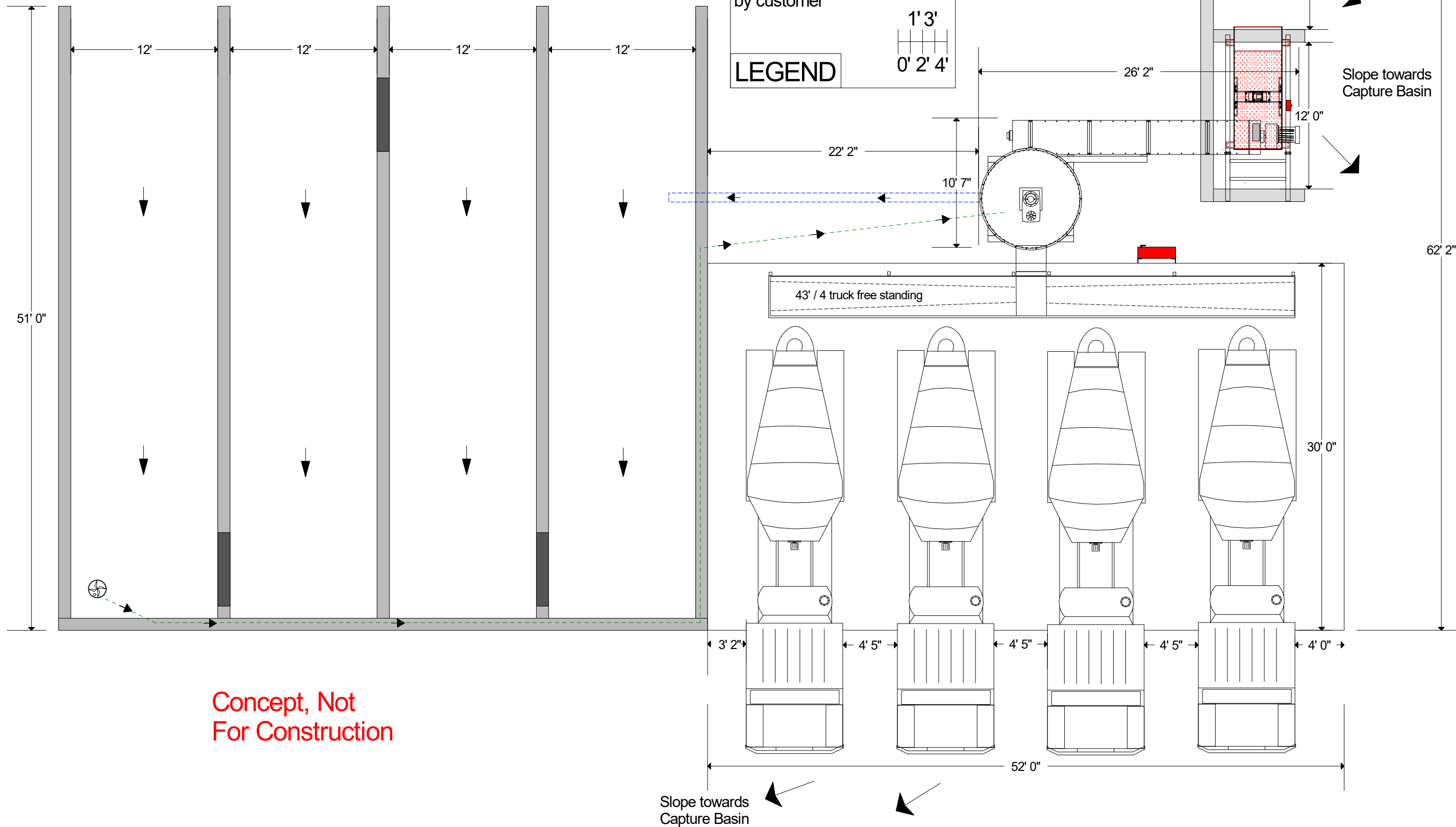
Process water Sump Pump

Main Etc. panel shipped loose  
for connection and placement  
by customer

LEGEND



Concept, Not  
For Construction



Concept, Not  
For Construction

Slope towards  
Capture Basin

Slope towards  
Capture Basin