

ENVIRO-PORT

READY-MIX RECYCLING SOLUTIONS

Wash Out Aggregate Processor



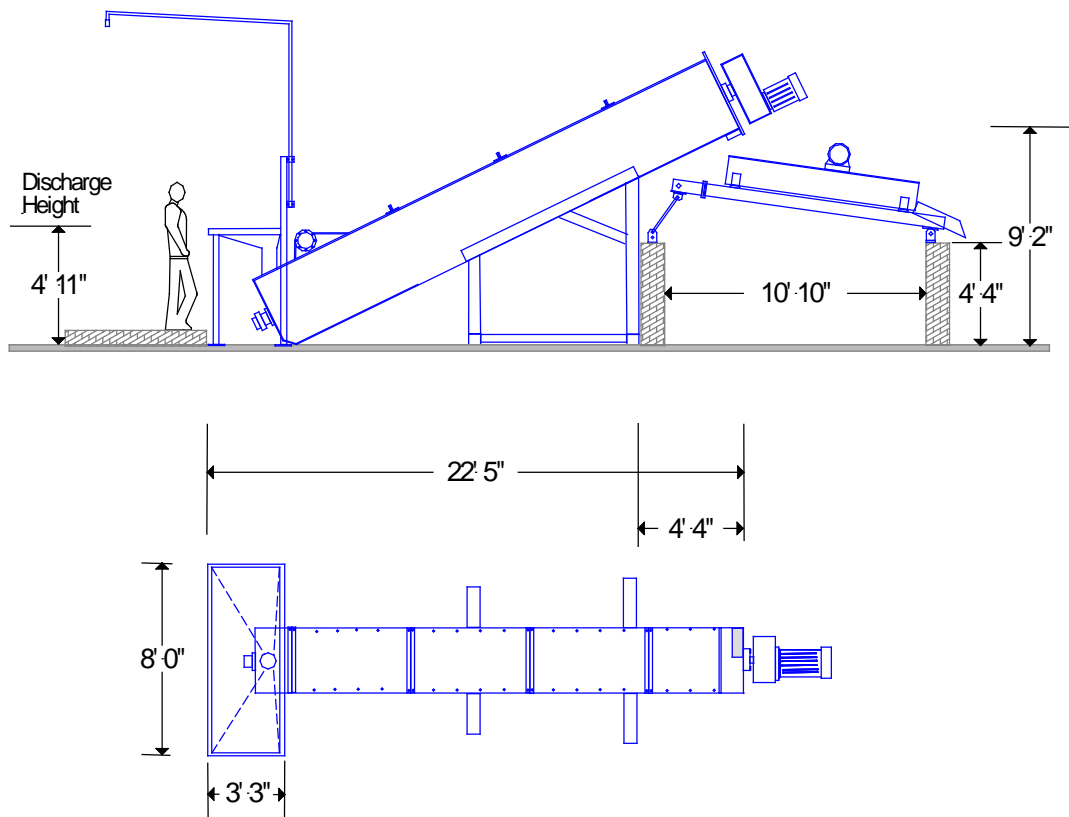
Model: WOAP13-18 1-2 Truck Discharge - Suggested fleet size
1-8 trucks

Model: WOAP23-27 1-2 Truck Discharge - Suggested fleet size
8-15 trucks

ENVIRO-PORT

READY-MIX RECYCLING SOLUTIONS

Wash Out Aggregate Processor



Model: WOAP23-27

Descriptions:

Item: WOAP13-18 Wash Out Aggregate Processor One (1) ENVIRO-PORT System WOAP13-18

- Screw Conveyor Construction:
Square Housing 18"x 18" x ¼" Wall, Flighting 13" x 22° x 3/8"
Chrome Buildup Flighting.
Drive Unit 15 HP input, Nord Speed Reducer.
- Control System:
Relay Logic- UL approved Panel shipped loose for customer mounting.
- Submersible Pump:
3" Discharge, 3hp Submersible: pumps clarified water from the clean cell
To the Aggregate Processor.
Max. Flow (GPM) 180, Max Dynamic Head 70'
- Discharge Hood:
Width 8', Width 3' , Back Splash 4'
Truck Discharge Height 4' 11"
3/16" Plate Steel Construction
One Truck Discharge Standard. 2nd Truck Optional.
- Intake capabilities 10 – 15 Yards Per Hour
- Automatic Lubrication System.
- Weight 5,600 lbs.

Item: WOAP23-27 Wash Out Aggregate Processor One (1) ENVIRO-PORT System WOAP23-27

- Screw Conveyor Construction:
Square Housing 27"x 27" x ¼" Wall, Flighting 23" x 22° x 3/8"
Replaceable, High chrome cast bolt on flight tips.
Drive Unit 25 HP input, Nord Speed Reducer.
- Control System:
Relay Logic UL approved Panel shipped loose for customer mounting.
- Submersible Pump:
3" Discharge, 3hp Submersible: pumps clarified water from the clean cell
To the Aggregate Processor.
Max. Flow (GPM) 180, Max Dynamic Head 70'
- Discharge Hood:
Width 8', Width 3' , Back Splash 4'
Truck Discharge Height 4' 11"
3/16" Plate Steel Construction
One Truck Discharge Standard. 2nd Truck Optional.
- Intake capabilities 20 – 30 Yards Per Hour
- Automatic Lubrication System.
- Weight 8,900 lbs.

ENVIRO-PORT

READY-MIX RECYCLING SOLUTIONS

Item: 48SDVS

One (1) Enviro-Port 48" x96" Single Deck Vibrating Screen Package

- C – Channel Extension Frame, allowing up to a 13' wide bunker.
- Height Adjustment Kit.
- Pre-Wired Motor Starter and Disconnect Box.
- Approximate shipping weight 2,500lbs.



Date _____ Company _____

Shipping Address _____

Billing Address _____

ENVIRO-PORT Wash Out Aggregate Processor System designed to separate aggregate from ready mix concrete, while working in conjunction with a weir settling system.

Item:			#	
WOAP13-18	Wash Out Aggregate Processor	\$ 48,360.00		
Or				
WOAP23-27	Wash Out Aggregate Processor	\$ 59,700.00		
ADDITIONAL ITEMS and OPTIONS:				
TB2MV	Truck Bay 2 Manual Valve and Flush Boom, with hardware.	1,098.00		
TB1Auto	Truck Bay 1 Automated Air Valve w/timer	1,775.00		
TB2Auto	Truck Bay 2 Automated Air valve w/timer (Item TB2MV purchase required)	1,775.00		
48SDVS	48" x96" Single Deck Vibrating Screen	18,199.00		
WOAP480	480/3ph Voltage (standard)	0.00		
WOAP208	208/3ph Voltage	675.00		
WOAP240	240/3ph Voltage	560.00		
WOAP575	575/3ph Voltage	325.00		
EP-201	100' reel of 3" steel reinforced suction/ discharge hose	1,101.00		
EP-201-25	25', 50', 75' Increments of 3" steel reinforced suction/discharge hose	303.00 per25'		
EP-203	3" Hose splicer/coupler	32.00		
EP-204	3" hose T-Bolt clamp (2 per joint)	15.00 ea		
SPHWJC	Sump Pump Hand Winch Jib Crane	943.00		
Purchase Order #	TOTAL IN U.S. DOLLARS		\$	

Price does not include, shipping, set-up or installation.

This quote **does not** include any taxes. All applicable present or future state/local sales /use tax or other government charge upon production, sale, shipment, and/or use of the goods covered by this quotation shall be paid directly to the taxing authorities by purchaser. Paid tax receipts will be furnished to Enviro-Port Inc. upon request, unless purchaser provides an exemption certificate acceptable to the taxing authorities.

USE TAX WILL BE ADDED TO INVOICE IN THE STATE OF CALIFORNIA

Prices are good for thirty (30) days. All prices are F.O.B. Gratiot, WI.

DELIVERY: To be discussed at time of order.

TERMS: 30% deposit at time of order, 40% at 45days. balance due prior to shipment of above equipment. Checks payable to Enviro-Port, Inc.

CONDITIONS OF SALE FOR READY-MIX RECLAMATION SYSTEM

1. PRICES AND ACCEPTANCE

Unless otherwise specified, all prices are F.O.B. factory and do not include sales, use, excise or other similar taxes and all such taxes will be paid by purchaser. Prices are also exclusive of all installation expenses such as, but not limited to; anchor bolts, footings, crane rental, erection labor, field welding, electrical conduit, wiring, motor controls, supervision and check out assistance except as specified. Additional charges may be made to cover any unforeseen or unusual cost elements including, but not limited to overtime work authorized by purchaser, special packing, engineering, or documentation.

All orders are subject to acceptance by ENVIRO-PORT INC. at the factory and are subject to credit approval.

PRICES SUBJECT TO CHANGE WITHOUT NOTICE. Quotation prices are firm for thirty (30) days from date of quotation.

2. DELIVERY

Delivery dates are approximate and are not guaranteed. ENVIRO-PORT INC. will not be liable for delays due to circumstances beyond its reasonable control. If Purchaser delays delivery as originally scheduled, ENVIRO-PORT INC. may invoice Purchaser and may store the products once the invoice is paid

3. CANCELLATION OR SUSPENSION

Purchaser shall be liable to ENVIRO-PORT INC. for all damages and related costs, whether direct or indirect, incurred by ENVIRO-PORT INC. as a result of Purchaser's cancellation or suspension of this order. Purchaser's liability shall also extend to any costs or attorney's fees incurred by ENVIRO-PORT INC. related to this order.

4. SECURITY INTEREST

Purchaser hereby grants to ENVIRO-PORT INC., a purchase money security interest in the products ordered herein, which includes ENVIRO-PORT INC. right to possession until Purchaser makes final payment. Purchaser further agrees to make, execute and deliver to ENVIRO-PORT INC., any and all documents necessary to perfect said security interest upon request by ENVIRO-PORT INC.

5. INSTALLATION

All products specified in the quotation shall be assembled and installed by Purchaser at Purchaser's expense. The cost of a technician is not included in this quote unless specified in the sales order. ENVIRO-PORT INC. assumes no responsibility for erection expense. The correction of minor misfits and a reasonable amount of cutting, reaming, or re-drilling will be considered as a normal expense of erection. Any error in shop fabrication which prevents the proper assembling and alignment of parts by use of reamers, drift pins, or cutting, shall be immediately reported to the seller to obtain approval of the method of correction.

6. WEIGHTS

Shipping weights or dimensions wherever shown in price lists, catalogs and as shown in proposals or quotations are approximate and are not guaranteed.

7. WARRANTY

ENVIRO-PORT INC. warrants to the original user all new products of its own manufacture to be free from defects in material and in workmanship for a period of three hundred sixty five (365) days from the date of shipment of the products.

The obligation of ENVIRO-PORT INC. shall be limited to repairing or replacing at its factory, any part or parts which shall, within the three hundred sixty five (365) day period, be returned to it with transportation prepaid; and which upon examination by ENVIRO-PORT INC., shows to have been defective.

This warranty shall not apply if:

- (a) The product has been altered, repaired or modified outside ENVIRO-PORT INC. factory.
- (b) The product has been subjected to misuse or damage while in the possession of the purchaser or any person to whom the product was transferred by the purchaser or was installed or operated other than in accordance with ENVIRO-PORT INC. operating instructions.
- (c) The product was used with accessories not recommended by ENVIRO-PORT INC. or for uses not recommended by ENVIRO-PORT INC.

No warranty by ENVIRO-PORT INC. is provided for goods which are not of ENVIRO-PORT INC. manufacture, and any warranty on goods not of ENVIRO-PORT INC. manufacture shall be the warranty given by manufacturer of such goods.

The implied warranties of fitness for particular purpose are limited to the duration of this warranty of three hundred sixty five (365) days.

Purchase or other acceptance of the product shall be on the condition and agreement that ENVIRO-PORT INC. shall not be liable for incidental or consequential damages of any kind.

This warranty is the only warranty, expressed or implied, supplied with ENVIRO-PORT INC. products.

8. PRODUCT SAFETY

Products designed and manufactured by ENVIRO-PORT INC. are capable of being used in a safe manner, but ENVIRO-PORT INC. cannot warrant their safety under all circumstances. Purchaser must install and use the product in a safe and lawful manner in compliance with applicable health and safety regulations and laws in general standards of reasonable care. Only those safety devices as may be specified in ENVIRO-PORT INC accepted sales order will be supplied by ENVIRO-PORT INC. It is the responsibility of the Purchaser to furnish other appropriate safety devices which are desired by the Purchaser and/or required by OSHA and/or MSHA standards and other laws.

9. PRODUCT DESIGN

ENVIRO-PORT INC. structural supports are designed for normal wind and soil conditions. It may be necessary in some locations to provide additional bracing in order to comply with the design criteria of local codes for hurricane force winds or seismic loading design. Regulations that apply where Purchaser intends to use the equipment may be more stringent. It is Purchaser's responsibility to determine whether any more stringent laws, regulations or codes apply. ENVIRO-PORT INC. shall not be responsible to comply with such more stringent requirements unless they are specifically referred to in ENVIRO-PORT INC. written quotation. It is the responsibility of the Purchaser to meet any state, municipal, local, etc., requirements for additional engineering certification, licensing, etc. Consult factory if you have any questions.

10. DESIGN CHANGES

ENVIRO-PORT, INC. reserves the right to make changes and improvements to its products at any time without any obligation to make such changes to products manufactured previously. ENVIRO-PORT INC. accepts no responsibility for variations in actual products from the specifications, pictures, and descriptions contained in the publications.

11. ELECTRICAL

ENVIRO-PORT INC. does not assume responsibility that the flexible conduit, weather-resistant cords, plugs and receptacles will be acceptable under the governing electrical code. All wiring other than supplied with the plant is the responsibility of the Purchaser. This includes, but is not limited to the power source and power to the control panels. Special modification due to local state, county or city codes will be the responsibility of the customer. All service panels manufactured meet or exceed standards set forth by Underwriters Laboratories and will carry the Underwriters Laboratories Industrial Controls Panel label.

12. MATERIAL SAFETY DATA SHEETS (M.S.D.S.)

ENVIRO-PORT INC. keeps Material Safety Data Sheets on file. It is the responsibility of the customer to request them if they are needed. ENVIRO-PORT INC. will provide M.S.D.S. information if requested.

13. CONFINED SPACES

Portions of this equipment may be determined to be permit required confined spaces per OSHA standards. It is the responsibility of the customer to make final determination and comply with such standards.

14. PAINTING

Unless otherwise specified in writing, one coat of primer and one coat of paint.

15. COMPLETE AGREEMENT

The complete agreement between ENVIRO-PORT INC. and Purchaser is contained here in. Any changes or additions must be in writing.

BY _____ **ENVIRO-PORT INC.**

By signing and accepting this quote, the undersigned further acknowledges that this agreement constitutes the entire agreement between the parties hereto and that no promise, inducement, representation, or agreement other than herein expressed has been made to the undersigned.

ACCEPTED BY

DATE

PLEASE SIGN AND RETURN UPON ACCEPTANCE

Company _____